

FSD-TD Series



Fire and Smoke Dampers

- CE marked complying with the requirements of BS EN 15650
- Tested installation methods in differing supporting constructions (BS EN 1366-2)
- ES classified fire dampers with reduced smoke leakage characteristics to BS EN 1366-2 (test standard) and BS EN 13501-3 (classification document)
- Compliant with Approved Document B
 - Dwellings; 9.18
 - Buildings other than dwellings; 10.17
 - Protection of escape routes and areas with sleeping risk
- Fully compatible with BSB Electro-mechanical and BSB Addressable damper systems for networked installations
- Case leakage - Class C EN 1751
- Blade leakage - Class 2 EN 1751
- Aerodynamically Air Control tested to BS EN 1751
- Commissioning friendly:-
 - Test switch for periodic damper testing
 - Blade position indicator
 - Green "healthy" LED indication - supply voltage present and temperature fuse operational
- Actuators available in 24V or 230V
 - IP54 degree of protection
 - Replaceable thermal fuse element from outside of the duct
- Easy Fix™ (AF) Angle Frame
- CE approved "Batt" installation method
- Multiple section assembly (vertical and horizontal).
- New CE approved "FSD-TD-FC" Installation method.



FSD-TD Series

Fire and Smoke Dampers - Introduction

FSD-TD Range

The BSB FSD-TD is available in a variety of vertical or horizontal mounting configurations from 100mm to 1000mm in single section.

Model FSD-TD-S Rectangular Spigot

Square/Rectangular Spigot Connection.

Model FSD-TD-C Circular Spigot

Circular Spigot Connection.

Model FSD-TD-O Flat Oval Spigot

Flat Oval Spigot Connection.

Introduction

What are fire dampers and why might they be needed?

A fire damper is a device for use in heating, ventilation and air-conditioning (HVAC) systems at fire boundaries to maintain compartmentation and protect means of escape in case of fire.

The BSB FSD-TD series of fire and smoke dampers are carefully engineered to fulfil the above and to have the advantage of reduced smoke leakage characteristics.

They can respond to a smoke alarm input as well as having a thermal fuse. Integration with systems such as BSB's smoke control panels will give this functionality.

This means that specifiers can safely select the BSB FSD-TD series for use in HVAC ductwork systems to safely fulfil the regulations in the form of Approved Document B (ADB) to protect both escape routes and areas with sleeping risk, as well as standard compartmentation.

What are the 'E' and 'ES' classifications?

To achieve the classifications to EN13501-3, fire dampers and fire and smoke dampers shall be tested to EN1366-2 with a 300Pa pressure difference applied across the damper. During the fire test period, the integrity of the seal between the damper and the structure shall not have any gaps larger than permitted in EN1363-1. There shall not be any sustained flaming. The largest size of damper to be manufactured for sale as a single section shall be fire tested.

E = Integrity

The maximum leakage permissible at 300Pa corrected to 20°C is 360m³/hr/m² (100 l/s/m²) throughout the fire test period.

ES = Integrity with Smoke Leakage Performance

The damper leakage is measured at ambient temperature on both the smallest and largest size dampers prior to the fire test, and also during the actual fire test on the largest size only (where the air temperature is corrected back to 20°C). The maximum leakage (at a pressure difference of 300Pa) is 200m³/hr/m² (55.5 l/s/m²). This is equivalent to just 0.55l/s on a 100x100 damper.

Fire damper testing is undertaken to BS EN 1366-2 and for a fire damper to fulfil the requirement to protect escape routes and areas with sleeping risk they must be classified ES to BS EN 13501-3.

Fire dampers should be installed as tested.

BSB have a policy of continued testing and product certification to try and provide as broad a number of installation methods as possible.

BSB also follow regulation and standards development very carefully to provide input on changes and to be able to pass on relevant information to designers, specifiers, building control authorities (BCA's) and installers.

FSD-TD Series

Fire and Smoke Dampers - Testing and Conformities



Testing and Conformities

Tested to EN1366-2. See installations section for full details. Tested/assessed and achieved equivalent classification to:

CE Marked to EN 15650
Fire Tested to EN 1366-2
Classified to EN 13501-3

- Please refer to the table on the right.

Corrosion testing (ASTM B117)

- Satisfies LPS 1162

FSD-TD Blade leakage (BS EN 1751)

- Class 2

Casing leakage (BS EN 1751)

- Class C

Classification	Supporting Construction	Drawing
E 120 (ho i↔o) S	Masonry Floor	FSD-TD M1
E 120 (ve i↔o) S	Masonry Wall	FSD-TD M2
E 120 (ve i↔o) S	Drywall Partition	FSD-TD M5
E 120 (ve i↔o) S	Drywall Partition	FSD-TD M6
E 90 (ve i↔o) S	Drywall Partition	FSD-TD M9
E 120 (ve i↔o) S	Drywall Partition	FSD-TD M9
E 120 (ve i↔o) S	Masonry Wall	FSD-TD M10
E 120 (ho i↔o) S	Masonry Floor	FSD-TD M11
E 120 (ve i↔o) S	Drywall Partition with Batt Infill	FSD-TD M12
E 120 (ve i↔o) S	Masonry Wall with Batt Infill	FSD-TD M12
E 90 (ve i↔o) S	Fire Curtain	FSD-TD M14
E 120 (ve i↔o) S	Drywall Partition	FSD-TD M9 MULTI
E 120 (ve i↔o) S	Masonry Wall	FSD-TD M10 MULTI
E 120 (ve i↔o) S	Masonry Floor	FSD-TD M11 MULTI
Refer to CE-DoP-FSD-TD for full details		

FSD-TD Features and Benefits

- Tested and certified installation variants of the FSD-TD are available to cover masonry walls, dry walls and concrete floors. These cover the majority of applications/supporting constructions that are required to maintain compartmentation and protect escape routes and areas with sleeping risk.
- HEVAC frame, angle frame, cleat and drop rod and batt infill methods are available.
- Unique **EASY FIX™** Angle frame. The **EASY FIX™** angle frame, with radius corners, incorporates pre-aligned pilot holes for 3 different installations, drywall, masonry wall and concrete floors.
The **EASY FIX™** dual pilot fixing holes take the guess work out of installation fixing positions, offering multiple fixing options from the same product configuration, minimising set out and installation time on site.
- Minimum size 100 x 100 (not adapted from a larger size by reducers) available for space saving.
- Circular connection - base damper does not increase, thus saving space and transport volume.
- Single section size up to 1000 x 1000 in millimetre increments.
- Multi-section configurations are available to specific customer requirements, but will be subject to Building Control Authority approval.
- Standard construction is a fully welded galvanised steel case, which gives a casing leakage that complies with Class C ductwork leakage specifications.
- Blades have folded safe-edges to aid site safety.
- All blade and motor connecting drives are removed from the airstream and are fully enclosed. This gives both increased free area through the damper and protection to the mechanisms.
- Electrical Actuators (24VAC/DC, 230VAC,) have a less than 60 second motoring time. They have multi-position fitting and, being remote from the duct, allow space savings.
- All damper/actuator assemblies are mechanically tested prior to despatch (NOTE: The thermal fuse needs to be fitted/installed through the duct wall by the customer when the damper is installed).
- The FSD-TD range is fully compatible with the BSB damper control panel systems which offer a number of interface options for building management (BMS) and fire alarm systems.
- The BSB FSD-TD has a strong and robust design to both meet the exacting fire testing requirements and be resilient to site handling. This is supported by sound production techniques which result in a quality product.
- All the above, supported with BSB's enviable delivery performance, provide an unbeatable combination.

Regulations and Standards/Publications

Approved Document B: Fire safety (ADB)

ADB is the UK government's guide to fulfilling the Building Regulations in terms of fire safety. It is available as a free download from the planning portal website.

It gives clear guidance on where fire dampers are to be used and what their performance or classification shall be. The BSB FSD-TD fulfils the ES classification and reference should be made to the model section to confirm exact time periods.

Health Technical Memo 05/02 (HTM05/02)

HTM05/02 is the Department of Health Firecode - fire safety in the NHS: Guidance in support of functional provisions for healthcare premises.

It basically underlines the requirements stated in ADB, requiring fire damper testing to BS EN 1366-2 and classification to BS EN 13501-3 - ES for escape routes etc). It supersedes HTM81 and should be read in conjunction with HTM03-01: Ventilation in healthcare premises, as it gives guidance on maintenance and testing.

Regulatory Reform (Fire safety) Order (RRFSO)

This is the regulatory requirement that allows people to self fire certificate their buildings. There are requirements for keeping testing and maintenance records for all passive fire protection equipment, which includes fire dampers.

BS EN 15650

This is the product standard that applies to the FSD-TD damper series. For dampers to be compliant to the Construction Products Regulation and CE marking, dampers must comply to this product standard, encompassing BS EN 1366-2, BS EN 13501-3 and BS EN 15882-2.

BS EN 1366-2

The fire resistance test standard for fire dampers.

BS EN13501-3

The fire resistance classification standard that includes fire dampers.

BS EN 15882-2

Extended field of application of results from fire resistance tests for service installations Part 2 fire dampers.

BS EN 1751

The standard for aerodynamically testing dampers. This includes both casing leakage (as DW 144 requirements), blade leakage, torque and heat transfer.

DW 144 (HVCA)

This states the general requirements for HVAC ductwork, including the use of fire dampers. It also states ductwork leakage limits. The BSB FSD-TD fulfils the requirements of classes A, B & C.

DW 145 (HVCA)

This document will give guidance on the whole process of the selection and installation of fire dampers, with responsibilities and project planning and guidance.

The Grey Book (ASFP)

This gives further guidance on the application and installation of fire dampers.

Scotland

These are technical standards (AMD's). They give similar guidance to ADB. They already include direct references to the application of European standards. They are obtainable as a free download from the Scottish Executive website.

FSD-TD Series

Fire and Smoke Dampers - Construction, and Typical Tender



A brand of
MAICO

Elements of Construction

Galvanising

Where detailed, galvanised mild steel is to the following specification: hot dipped zinc coated steel to BS EN 10346 DX51D + Z 275.

Zinc plating

Zinc electroplated to BS EN ISO 2081.

Casings/inner frames

The FSD-TD casings are manufactured from 1.2mm galvanised mild steel and are fully welded.

Fully seam welded corners provide a rigid and air tight construction. Exposed welds are treated with protective corrosion resistant, environmentally friendly water based paint for galvanised cases with the option of being passivated for stainless steel cases.

Material options are Ferritic (430) 1.4016 and Austenitic (316) 1.4401 grade stainless steel. As standard these welds will be simply cleaned and untreated.

The inner bearing channels are manufactured from 1.2mm galvanised mild steel. The bearing channel incorporates punch formed low friction bearing surfaces that allow the blades to rotate freely.

Where necessary, sealant is applied to joints.

Blades

FSD-TD Series dampers are supplied with opposed blade operation only.

Blade material 0.7mm available as galvanised steel, Ferritic (430) type 1.4016 or Austenitic (316) 1.4401 grade stainless steel.

The blades are a specially formed double skin airfoil shape, specific to BSB, on a 100mm pitch that interlock when closed.

Peripheral gaskets

To complete the damper seal there are 0.4mm 301 grade stainless steel gaskets. They are fitted between the sides and across the top and bottom of the damper blades.

Blade shafts, bearings and linkage

The blades are each mounted on two 19mm diameter spindles (1.2mm wall thickness) made from zinc plated mild steel to BS EN ISO 2081.

The spindles are linked using a gear system, link arms and drive bars to give the opposed blade action. The gears are made from zinc plated 2.5mm thick mild steel. The link arms and drive strips are made from 2.5mm thick galvanised mild steel.

This linkage is fully enclosed and outside the airstream.

Other components

All other components are manufactured from zinc plated mild steel, with 316 stainless options available.

Actuators

The FSD-TD series of fire and smoke dampers are supplied with a range of spring return actuators, controlled to close automatically on loss of power or when the thermal fuse reaches 72°C.

1. BSB PM24-TF - 24VAC/DC spring return actuator
2. BSB PM230-TF - 230VAC spring return actuator

Thermal Fuse

The BSB PM24-TF and PM230-TF actuators incorporate a thermal fuse (TF), which operates at 72°C.

This must be fitted through a hole into the ductwork and be screwed into position.

The TF is fitted with a green LED indication light which provides a quick visual check that the control option is receiving power and that the TF is intact. Also included is a manual sprung test switch for periodic testing of the damper.

For safety reasons the TF is designed to operate only once upon reaching the activation temperature. Cutting the cable to the TF with the power on will trip an electrical fuse within the actuator, rendering it inoperable.



Specification Text

The fire and smoke dampers shall be CE marked conforming to EN15650

For maintenance of compartmentation and the protection of escape routes and areas with sleeping risk fire and smoke dampers shall have an ES classification to EN 13501-3 and shall include an actuator that can respond to a smoke alarm signal to ensure closure at the first trace of smoke. Refer to Approved Document B (ADB).

The actuator shall have a thermal fuse as a failsafe backup to ensure closure, should the temperature exceed 72°C. It shall close in less than 30 seconds and motor open in less than 60 seconds.

The fire and smoke damper shall have an opposed blade action with the interlocking double skinned blades each having robust 19mm dia. spindles for both resistance to fire and daily airflow exposure.

The fire and smoke damper blade drive linkage shall be fully enclosed and outside of the air stream for protection against damage and air contamination.

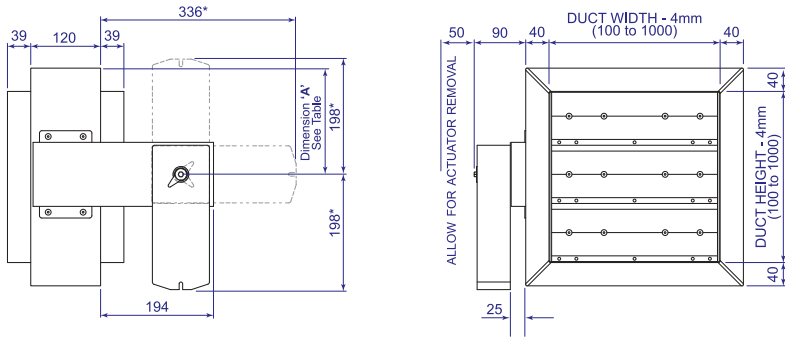
Stainless steel gaskets shall be provided at the top and bottom of the fire and smoke damper as well as down the sides to reduce ambient leakage to within the levels stated in EN 15650.

The fire and smoke damper case shall be fully welded to meet the air tightness test requirements of HVCA specification DW144 to classes A, B and C under normal operating conditions not exceeding 1500Pa.

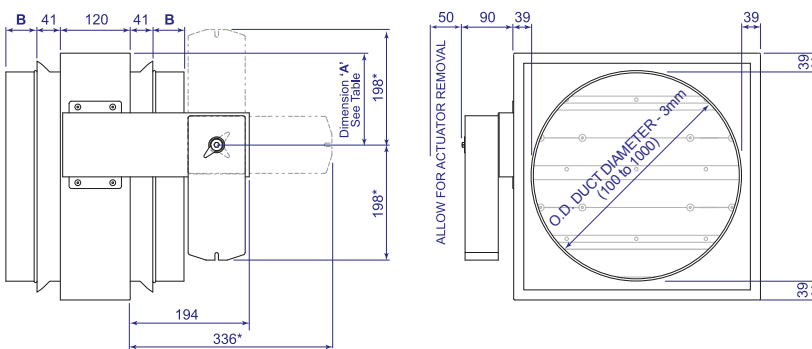
The fire and smoke damper shall have a tested or assessed installation method that matches the requirement of the supporting construction into which it is built.

Fire and smoke dampers shall be the FSD-TD Series as supplied by BSB - www.bsb-dampers.co.uk - 01795 422609

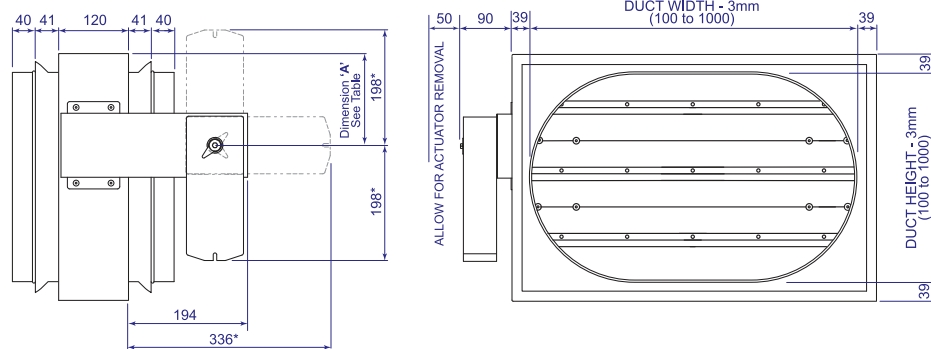
Model FSD-TD - S Square/Rectangular Spigot Connection



Model FSD-TD - C Circular Spigot Connection



Model FSD-TD - O Flat Oval Spigot Connection



Duct Height/Dia.	Dimension 'A'	Dimension 'B'
100	84	41
150	109	41
200	84	41
250	159	41
300	184	41
350	159	41
400	184	55
450	259	55
500	284	55
550	259	55
600	284	55
650	359	55
700	384	55
750	359	55
800	384	55
850	459	55
900	484	55
950	459	55
1000	484	55

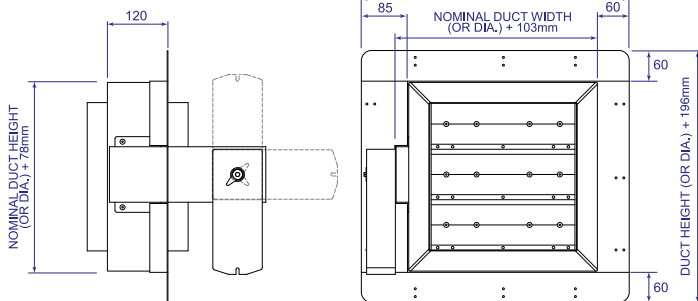
* Allow extra 50mm for cables

Damper Handing

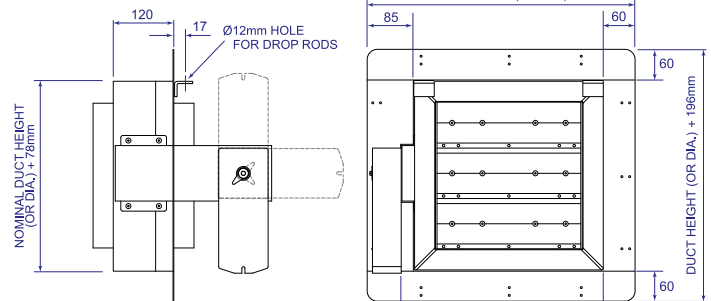
Right hand damper as shown will be supplied as standard

Installation Option Dimensions

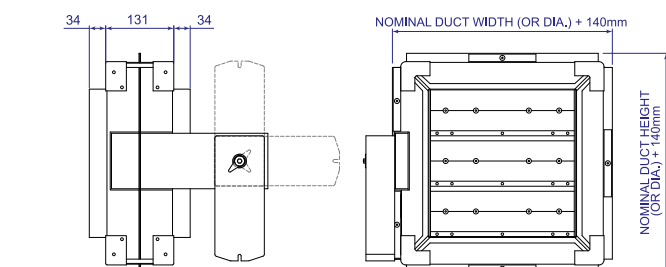
Angle Frame



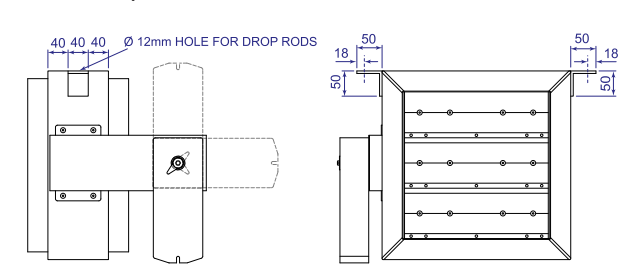
AF-BATT Frame



HEVAC Frame

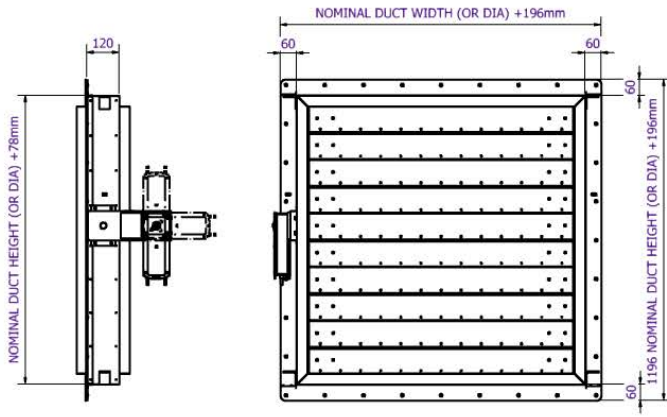


Cleats for Drop Rods

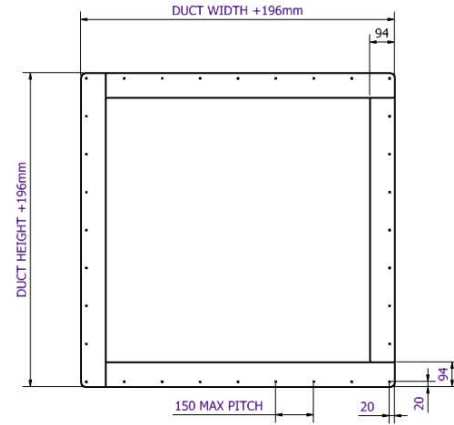


Installation Option Dimensions Cont.

Fire Curtain Damper



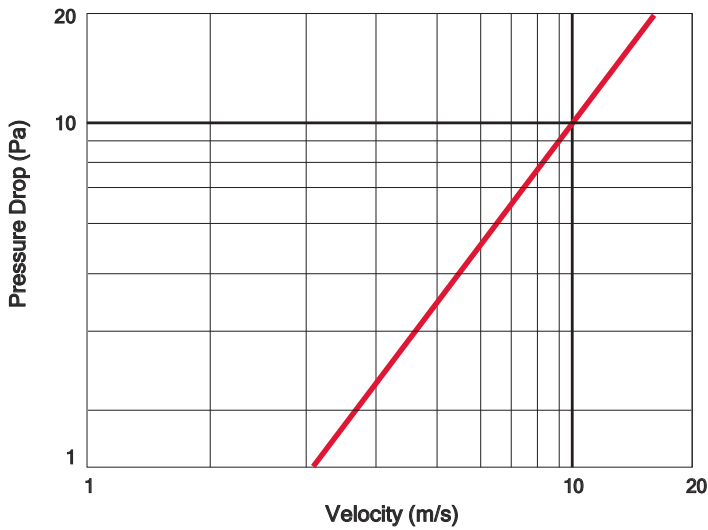
Fire Curtain Clamp Plates



Performance Data

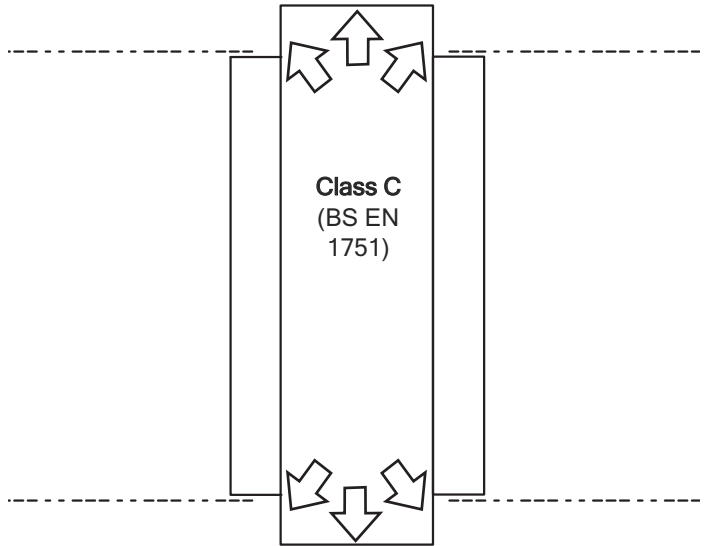
Pressure Drop BSRIA Report 15633/1

Dynamic performance on a 500mm W x 600mm H damper



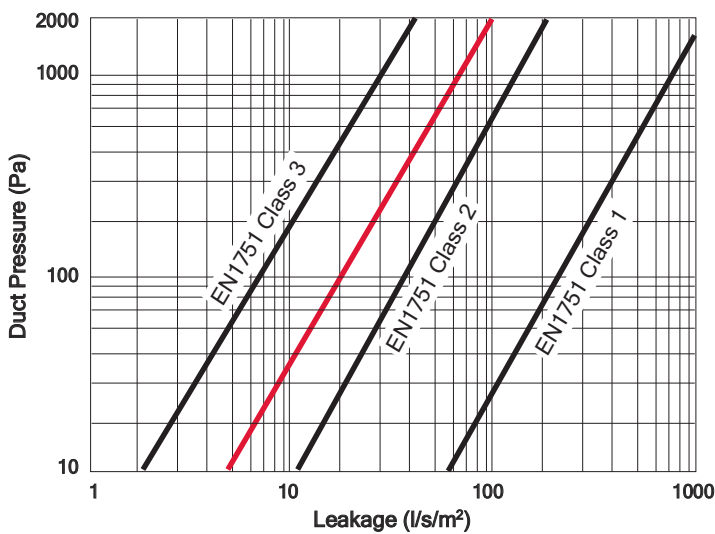
Ambient Case Leakage

An FSD-TD damper was tested and was found to meet Class 'C' Classification BS EN 1751. With leakage being recorded at less than 0.1 l/s/m² at 1500 Pa



Ambient Blade Leakage

— 1000mm x 1000mm unit as tested to BS EN 1366-2



Weight Chart (kg approx.)

Model FSD-TD-AF with Actuator

Height (mm)	Width (mm)									
	100	200	300	400	500	600	700	800	900	1000
100	9	10	11	12	13	15	16	17	18	19
200	10	11	13	14	15	17	18	19	21	22
300	12	13	14	16	17	19	20	22	23	25
400	13	15	16	18	19	21	23	24	26	27
500	15	16	18	20	22	23	25	27	28	30
600	16	18	20	22	24	25	27	29	31	33
700	18	20	22	24	26	28	30	32	34	35
800	19	21	24	26	28	30	32	34	36	38
900	21	23	25	28	30	32	34	36	39	41
1000	22	25	27	30	32	34	37	39	41	44

Weight Chart (kg approx.)

Model FSD-TD-AF with Actuator

Dia. (mm)	Weight (kg)
100	10
200	13
300	17
400	21
500	26
600	31
700	37
800	42
900	48
1000	55

Electrical data	BSB PM24 -TF	BSB PM230 -TF
Nominal voltage	24 V AC, 50/60 Hz / 24V DC	230 V AC, 50/60 Hz
Nominal voltage range	AC 19.2...28.8V / DC 21.6...28.8V	AC 196...264V
Power consumption motoring	10 W @ nominal torque	12 W @ nominal torque
Holding power	2 W	4 W
For wire sizing	12.5 VA / I _{max} . 8.3 A @ 5 ms	14 VA
Auxiliary switch	2 x 1 SPDT	2 x 1 SPDT
Contact rating (contacts gold plate on silver)	1 mA ... 6 A (3 A) DC 5 V ... AC 250 V	1 mA ... 6 A (3 A) DC 5 V ... AC 250 V
Switching points	5° / 85°	5° / 85°
Thermal fuse	72°C	72°C
Supply cable (halogen free)	1.0 m, 2 x 0.75 mm ²	1.0 m, 2 x 0.75 mm ²
Signal cable (halogen free)	1.0 m, 6 x 0.75 mm ²	1.0 m, 6 x 0.75 mm ²

Functional data

Running time motor	< 60 s	< 60 s
Spring-return (at 20°C)	< 30 s	< 30 s
Sound power level motor	Max. 45 dB (A)	Max. 45 dB (A)
Spring-return	~62 dB (A)	~62 dB (A)
Position indication	Mechanical with pointer	Mechanical with pointer
Service life	Min. 10,000 full cycles @ 15Nm followed by 50 full cycles @ 20Nm	Min. 10,000 full cycles @ 15Nm followed by 50 full cycles @ 20Nm

Safety

Protection class	III Safety extra low voltage	II totally insulated
Degree of protection (including Thermal Fuse)	IP54 in all mounting positions	IP54 in all mounting positions
EMC	CE according to 2014/30/EU	CE according to 2014/30/EU
Ambient temperature range	normal duty -30°C to +50°C	normal duty -30°C to +50°C
Non-operating temperature	-40°C ... +50°C	-40°C ... +50°C
Ambient humidity range	95% r.H., non-condensing (EN60730-1)	95% r.H., non-condensing (EN60730-1)
Maintenance	Maintenance-free	Maintenance-free

Weight

Weight	Approx. 3.1kg	Approx. 3.5kg
--------	---------------	---------------

BSB FSD-TD-TF

BSB PM24-TF & BSB PM230-TF ELECTRICAL CONNECTIONS DAMPER ENERGISED OPEN / SPRING CLOSED OPTION

- Wiring diagram shows switch positions based on no power to actuator
- Damper required normally open
- Spring close on removal of power or thermal fuse activation

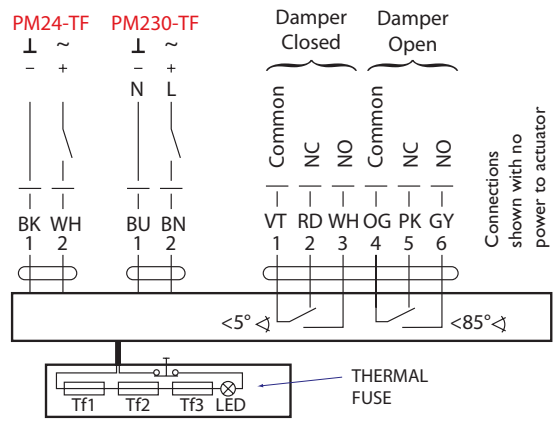
⚠ 24V AC/DC: Connect via safety isolation transformer

230V AC: For disconnection from the supply, a separate device must be incorporated in the fixed wiring (at least 3mm contact gap in all poles)

For damper closed indication use terminals 1 & 2
For damper open indication use terminals 4 & 6
Terminals 1 & 4 can be linked where required as an option

Unused cores should be isolated

Connecting cables need to be protected from sharp edges



PM Actuators

All PM Actuators fitted with a thermal fuse are supplied with one metre of halogen-free low smoke and fume cable for the two core power cable and six core status cable. Thermal fuse cable supplied is 500mm long.

All cables being external to the duct eliminates the need to make multiple entry holes to the ductwork, which can create the potential for system air leakage and cable chaffing, which can be a cause of electrical fires.

The thermal fuse probe requires fixing to the ductwork where one Ø9.5mm hole and two Ø2.5mm securing holes are required.

All PM Actuators are double insulated and do not require to be earthed.

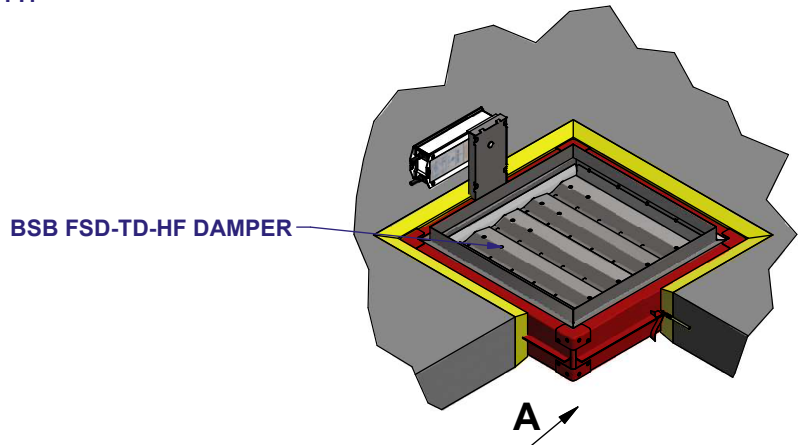
Cable runs:

Where the PM Actuator is 230volt, the power and indication cables must be run separately to be compliant with BS 7671.

INSTALLATION METHOD FSD-TD-HF MASONRY FLOOR

PLEASE REFER TO INSTALLATION, OPERATING AND MAINTENANCE DOCUMENT FOR DETAILED INFORMATION.
I, O & M AVAILABLE FROM QR CODE IN FOOTER.
USE BREAK-AWAY JOINTS (ALUMINIUM RIVETS) ON CONNECTING DUCTWORK.
CONNECTING DUCTWORK HAS BEEN OMITTED FOR CLARITY.

FSD-TD M1-r10



FRAME POSITIONED CENTRALLY ON THE CENTRE TO BE AT LEAST 65mm AWAY FROM NEAREST FLOOR FACE

MORTAR OR CONCRETE BACK FILL

THICKNESS TO SUIT FIRE RESISTANCE TIME EQUAL OR GREATER THAN THE FIRE RESISTANCE REQUIRED FOR THE DAMPER INSTALLATION

25 ⁺¹³ ₋₀ mm GAP ALL AROUND

FOR LARGER GAPS, FIRE RESISTING REFRACTORY MORTAR PERMITTED WITH RELEVANT TEST EVIDENCE WITH REGARD TO FILL AND SUPPORTING DISTANCE

USE Ø6.5 X 60mm (MIN.) STEEL ANCHORS AND Ø1.5mm (MIN.) STEEL WIRE AROUND BENT-OUT TIES & ANCHORS TO FIX TO SURROUNDING CONSTRUCTION, PRIOR TO BACKFILL.

VIEW A

CLASSIFICATION		
MINIMUM CONSTRUCTION	CASE / BLADE MATERIAL	MAXIMUM LEVEL AND / OR CLASSES
150mm Thick Masonry Density 580kg/m ³	Galvanised Steel or 430 Stainless Steel	E 120 (ho i←o) S

A MINIMUM OF 75mm SEPARATION BETWEEN FIRE DAMPER AND ADJACENT WALL, FLOOR, OR CEILING & 200mm BETWEEN SINGLE SECTION DAMPERS.

TESTED INSTALLATION METHOD SHOWN. DIFFERING INSTALLATION METHODS TO THIS, MUST BE ACCEPTED BY THE BUILDING CONTROL AUTHORITY (BCA) BEFORE PROCEEDING. THEY WILL NEED TO REFER TO THIS DOCUMENT AND ASSOCIATED I, O & M IN ORDER TO CONSIDER APPROVAL.

Damper size (Wmm x Hmm) 100 x 100 to 1000 x 1000

BSB FSD-TD-HF

www.bsb-dampers.co.uk



CE DoP-FSD-TD-14

TESTED TO EN 1366-2
CLASSIFIED TO EN 13501-3

© THE CONTENT OF THIS DRAWING MUST NOT BE REPRODUCED IN WHOLE OR IN PART WITHOUT THE EXPRESS WRITTEN PERMISSION OF BSB ENGINEERING SERVICES LTD.



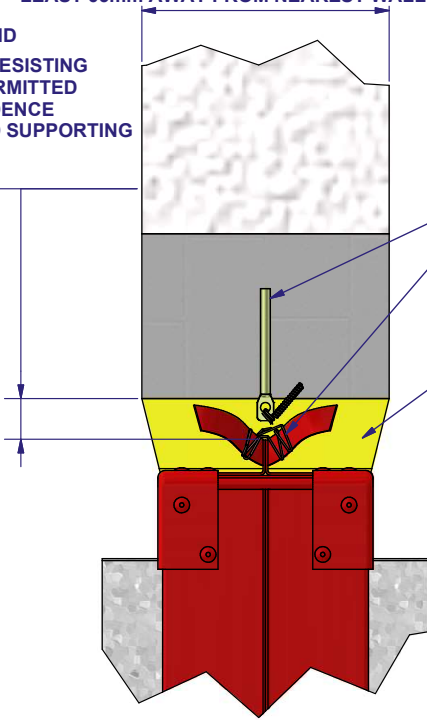
INSTALLATION METHOD FSD-TD-HF MASONRY WALL

PLEASE REFER TO INSTALLATION, OPERATING AND MAINTENANCE DOCUMENT FOR DETAILED INFORMATION.
I, O & M AVAILABLE FROM QR CODE IN FOOTER.
USE BREAK-AWAY JOINTS (ALUMINIUM RIVETS) ON CONNECTING DUCTWORK.
CONNECTING DUCTWORK HAS BEEN OMITTED FOR CLARITY.

FSD-TD M2-r11

THICKNESS TO SUIT FIRE RESISTANCE TIME
EQUAL OR GREATER THAN THE FIRE RESISTANCE
REQUIRED FOR THE DAMPER INSTALLATION.
THE CENTRE LINE OF THE DAMPER MUST BE AT
LEAST 65mm AWAY FROM NEAREST WALL FACE

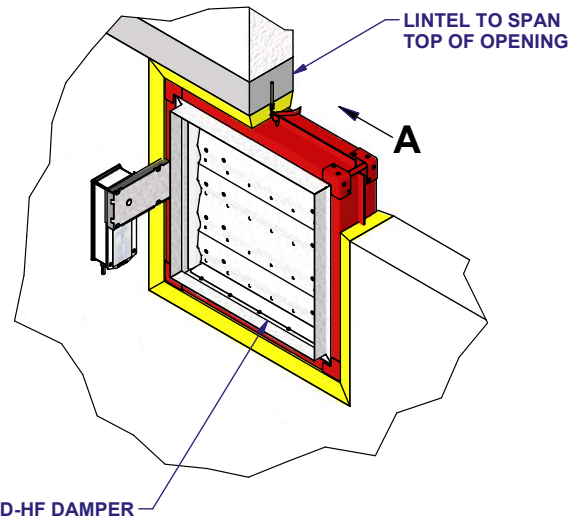
25 ⁺¹³₋₀ mm GAP ALL AROUND
FOR LARGER GAPS, FIRE RESISTING
REFRACTORY MORTAR PERMITTED
WITH RELEVANT TEST EVIDENCE
WITH REGARD TO FILL AND SUPPORTING
DISTANCE



VIEW A

USE Ø6.5 X 60mm (MIN.) STEEL ANCHORS AND Ø1.5mm (MIN.)
STEEL WIRE AROUND BENT-OUT TIES & ANCHORS TO FIX
TO SURROUNDING CONSTRUCTION, PRIOR TO BACKFILL.

MORTAR OR CONCRETE BACK FILL.



LINTEL TO SPAN
TOP OF OPENING

BSB FSD-TD-HF DAMPER

CLASSIFICATION		
MINIMUM CONSTRUCTION	CASE / BLADE MATERIAL	MAXIMUM LEVEL AND / OR CLASSES
150mm Thick Masonry Density 650kg/m ³	Galvanised Steel	E 120 (ve i↔o) S
150mm Thick Masonry Density 650kg/m ³	430 Stainless Steel	E 120 (ve i→o) S

THIS INSTALLATION WAS SUCCESSFULLY TESTED FOR 4 HOURS.

A MINIMUM OF 75mm SEPARATION BETWEEN FIRE DAMPER AND ADJACENT WALL, FLOOR, OR CEILING & 200mm BETWEEN SINGLE SECTION DAMPERS.

TESTED INSTALLATION METHOD SHOWN. DIFFERING INSTALLATION METHODS TO THIS, MUST BE ACCEPTED BY THE BUILDING CONTROL AUTHORITY (BCA) BEFORE PROCEEDING. THEY WILL NEED TO REFER TO THIS DOCUMENT AND ASSOCIATED I, O & M IN ORDER TO CONSIDER APPROVAL.

Damper size (Wmm x Hmm) 100 x 100 to 1000 x 1000

BSB FSD-TD-HF



SCAN ME
I,O&M

www.bsb-dampers.co.uk

CE DoP-FSD-TD-14

TESTED TO EN 1366-2
CLASSIFIED TO EN 13501-3

© THE CONTENT OF THIS DRAWING
MUST NOT BE REPRODUCED IN
WHOLE OR IN PART WITHOUT THE
EXPRESS WRITTEN PERMISSION OF
BSB ENGINEERING SERVICES LTD.



INSTALLATION METHOD

FSD-TD DRY WALL PATTRESS

PLEASE REFER TO INSTALLATION, OPERATING AND MAINTENANCE DOCUMENT FOR DETAILED INFORMATION.

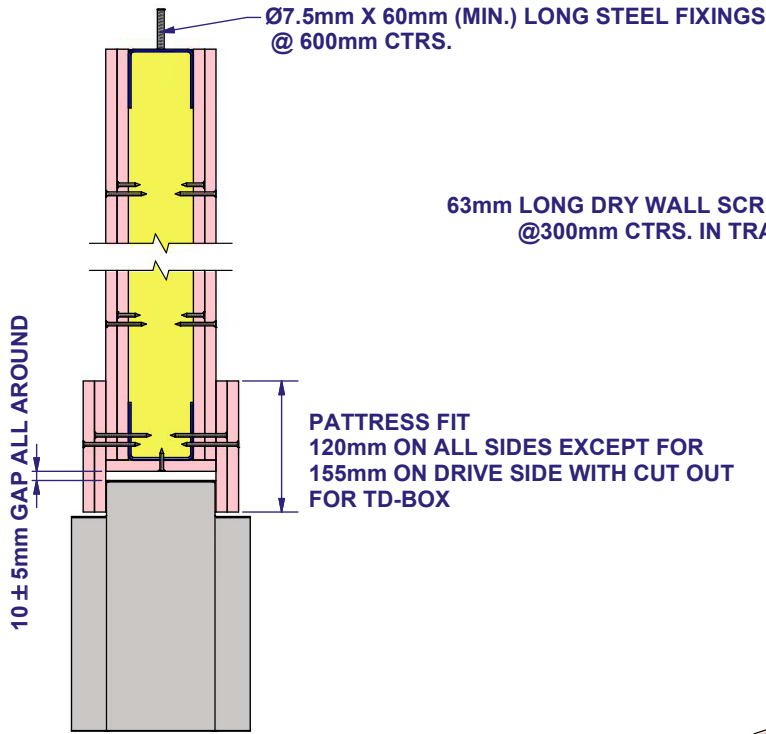
FSD-TD M5-r2

I, O & M AVAILABLE FROM QR CODE IN FOOTER.

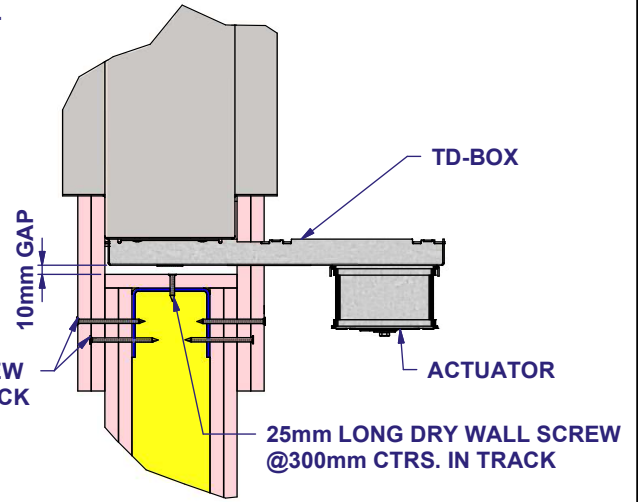
USE BREAK-AWAY JOINTS (ALUMINIUM RIVETS) ON CONNECTING DUCTWORK.

CONNECTING DUCTWORK HAS BEEN OMITTED FOR CLARITY.

CONNECT STUB DUCT TO CLEAR PATTRESS BEFORE INSTALLING DAMPER.

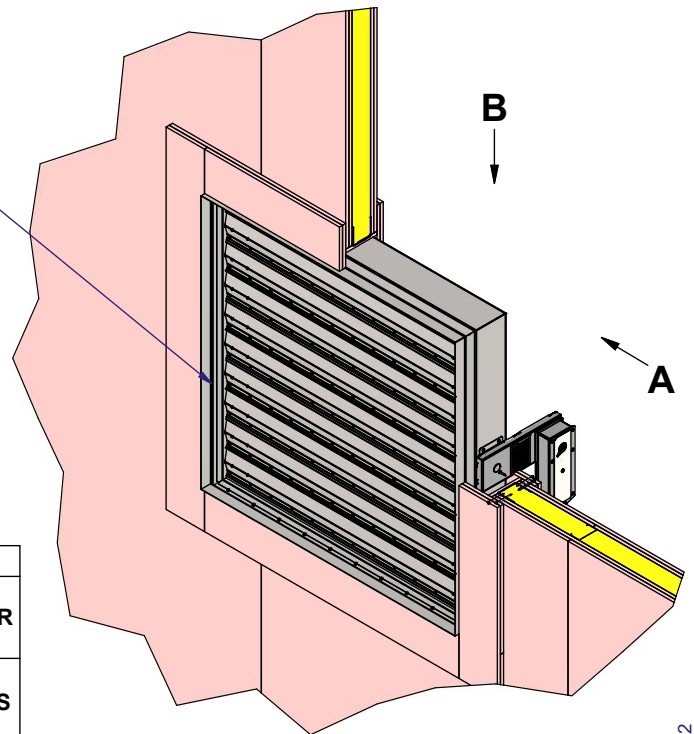


VIEW A



VIEW B

BSB FSD-TD DAMPER



THE DAMPER IS CLASSIFIED TO BE INSTALLED IN EI 90 AND EI 120 SYMMETRICAL WALLS, WITH AND WITHOUT ACOUSTIC INSULATION.

THE SUPPORTING CONSTRUCTION MUST BE OF THE SAME TYPE WITH A FIRE RESISTANCE EQUAL TO EI 90 OR GREATER THAN THAT OF THE SUPPORTING CONSTRUCTION USED IN THE TEST (THICKER, DENSER, MORE LAYERS OF BOARD, AS APPROPRIATE).

CLASSIFICATION		
MINIMUM CONSTRUCTION	CASE / BLADE MATERIAL	MAXIMUM LEVEL AND / OR CLASSES
Group B 70mm Steel Stud 2 Layers of 12.5mm Type F Board Each Side (EI 90 Fire Resistance)	Galvanised Steel	E 120 (ve i-o) S

THE OPENING IN THE WALL MUST BE LINED.
THERE IS NO NEED TO FILL THE OPENING VOID.

A MINIMUM OF 75mm SEPARATION BETWEEN FIRE DAMPER AND ADJACENT WALL, FLOOR, OR CEILING & 200mm BETWEEN SINGLE SECTION DAMPERS.

TESTED INSTALLATION METHOD SHOWN. DIFFERING INSTALLATION METHODS TO THIS, MUST BE ACCEPTED BY THE BUILDING CONTROL AUTHORITY (BCA) BEFORE PROCEEDING. THEY WILL NEED TO REFER TO THIS DOCUMENT AND ASSOCIATED I, O & M IN ORDER TO CONSIDER APPROVAL.

Damper size (Wmm x Hmm) 100 x 100 to 1000 x 1000

BSB FSD-TD

www.bsb-dampers.co.uk



SCAN ME

I,O&M

CE DoP-FSD-TD-14

TESTED TO EN 1366-2
CLASSIFIED TO EN 13501-3

© THE CONTENT OF THIS DRAWING
MUST NOT BE REPRODUCED IN
WHOLE OR IN PART WITHOUT THE
EXPRESS WRITTEN PERMISSION OF
BSB ENGINEERING SERVICES LTD.

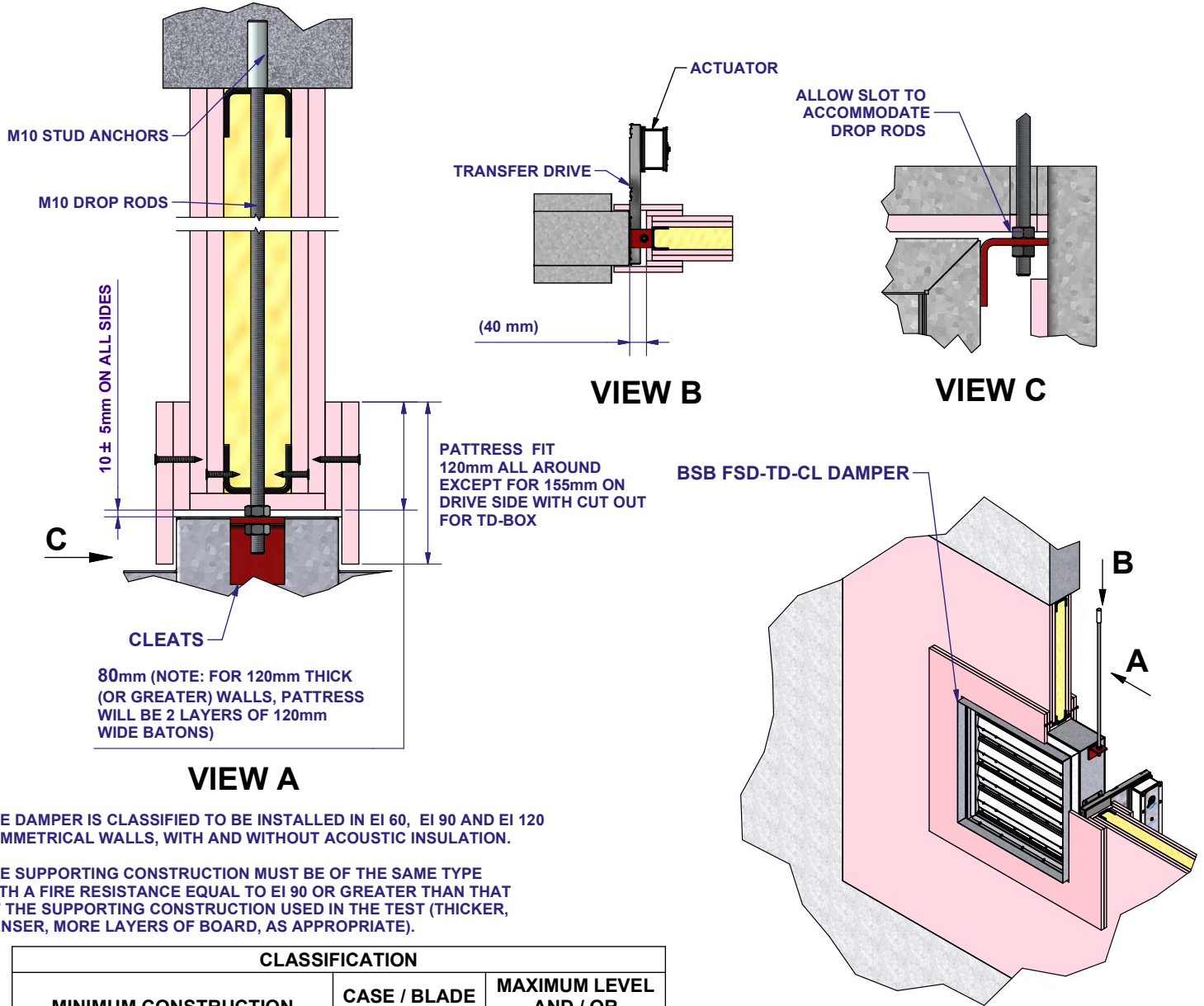


INSTALLATION METHOD FSD-TD-CL DRY WALL

PLEASE REFER TO INSTALLATION, OPERATING AND MAINTENANCE DOCUMENT FOR DETAILED INFORMATION.
I, O & M AVAILABLE FROM QR CODE IN FOOTER.

FSD-TD M6-r11

USE BREAK-AWAY JOINTS (ALUMINIUM RIVETS) ON CONNECTING DUCTWORK.
CONNECTING DUCTWORK HAS BEEN OMITTED FOR CLARITY.
CONNECT STUB DUCT TO CLEAR PATTESS BEFORE INSTALLING DAMPER.



THE DAMPER IS CLASSIFIED TO BE INSTALLED IN EI 60, EI 90 AND EI 120 SYMMETRICAL WALLS, WITH AND WITHOUT ACOUSTIC INSULATION.

THE SUPPORTING CONSTRUCTION MUST BE OF THE SAME TYPE WITH A FIRE RESISTANCE EQUAL TO EI 90 OR GREATER THAN THAT OF THE SUPPORTING CONSTRUCTION USED IN THE TEST (THICKER, DENSER, MORE LAYERS OF BOARD, AS APPROPRIATE).

CLASSIFICATION		
MINIMUM CONSTRUCTION	CASE / BLADE MATERIAL	MAXIMUM LEVEL AND / OR CLASSES
Group A 50mm Steel Stud 2 Layers of 12.5mm Type F Board Each Side (EI 60 Fire Resistance)	Galvanised Steel or 430 Stainless Steel	E 120 (ve i←o) S

THE OPENING IN THE WALL MUST BE LINED.
THERE IS NO NEED TO FILL THE OPENING VOID.

CLEATS:
THE INSTALLATION SHOWN REFERS TO A PATTESS INSTALLATION METHOD WITH CLEATS FITTED AS AN ACCESSORY.

A MINIMUM OF 75mm SEPARATION BETWEEN FIRE DAMPER AND ADJACENT WALL, FLOOR, OR CEILING & 200mm BETWEEN SINGLE SECTION DAMPERS.

TESTED INSTALLATION METHOD SHOWN. DIFFERING INSTALLATION METHODS TO THIS, MUST BE ACCEPTED BY THE BUILDING CONTROL AUTHORITY (BCA) BEFORE PROCEEDING. THEY WILL NEED TO REFER TO THIS DOCUMENT AND ASSOCIATED I, O & M IN ORDER TO CONSIDER APPROVAL.

Damper size (Wmm x Hmm) 100 x 100 to 1000 x 1000

BSB FSD-TD-CL



SCAN ME
I, O & M

CE DoP-FSD-TD-14

TESTED TO EN1366-2
CLASSIFIED TO EN13501-3

© THE CONTENT OF THIS DRAWING
MUST NOT BE REPRODUCED IN
WHOLE OR IN PART WITHOUT THE
EXPRESS WRITTEN PERMISSION OF
BSB ENGINEERING SERVICES LTD.



www.bsb-dampers.co.uk

INSTALLATION METHOD

FSD-TD-AF DRY WALL

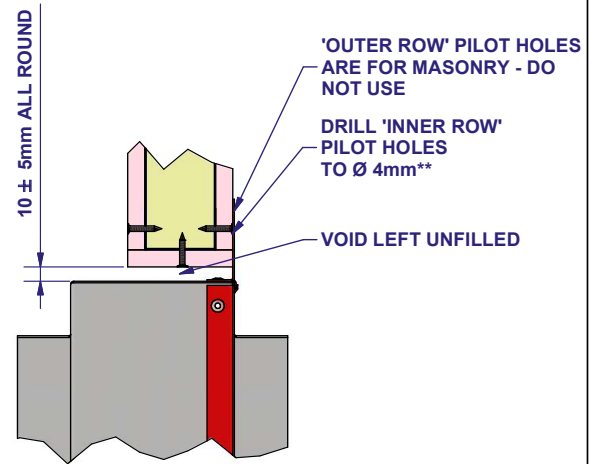
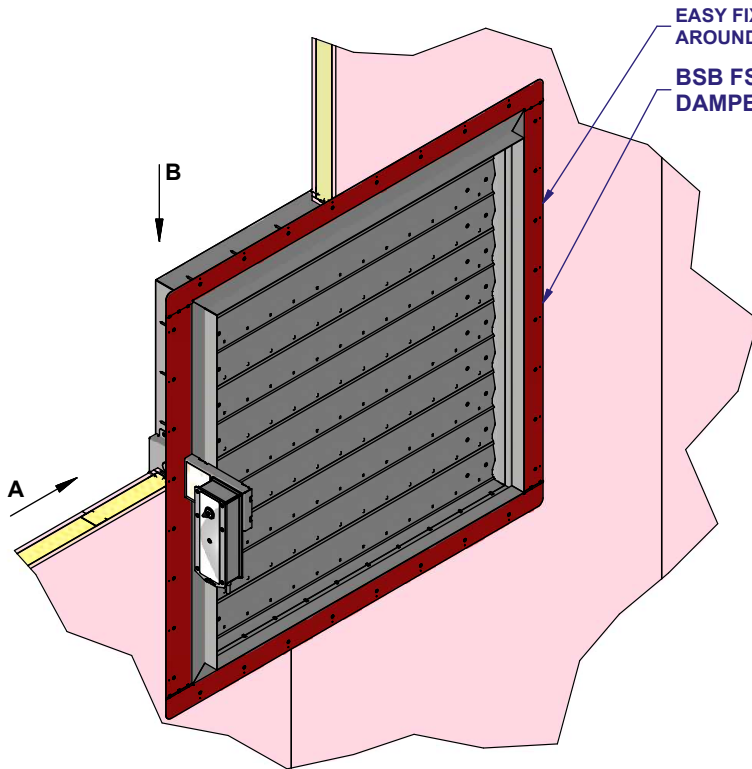
PLEASE REFER TO INSTALLATION, OPERATING AND MAINTENANCE DOCUMENT FOR DETAILED INFORMATION.

I, O & M AVAILABLE FROM QR CODE IN FOOTER.

USE BREAK-AWAY JOINTS (ALUMINIUM RIVETS) ON CONNECTING DUCTWORK. CONNECTING DUCTWORK HAS BEEN OMITTED FOR CLARITY.

FSD-TD M9 r13

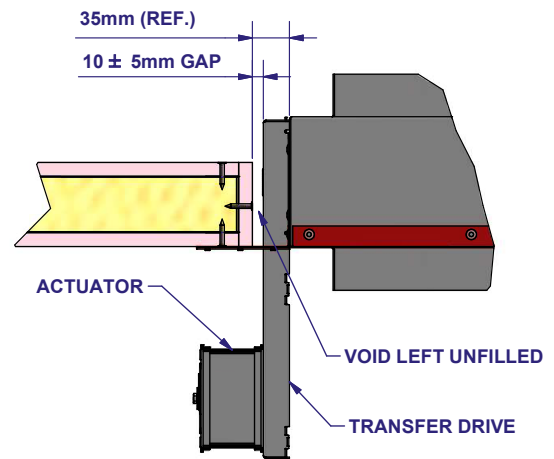
INSTALLATION METHOD	
SHEET	METHOD
1	SINGLE SKIN
2	DOUBLE SKIN



VIEW L

THE DAMPER IS CLASSIFIED TO BE INSTALLED IN EI 30, EI 60 AND EI 90 SYMMETRICAL WALLS, WITH AND WITHOUT ACOUSTIC INSULATION.

THE SUPPORTING CONSTRUCTION MUST BE OF THE SAME TYPE WITH A FIRE RESISTANCE EQUAL TO EI 30 OR GREATER THAN THAT OF THE SUPPORTING CONSTRUCTION USED IN THE TEST (THICKER, DENSER, MORE LAYERS OF BOARD AS APPROPRIATE).



VIEW K

CLASSIFICATION		
MINIMUM CONSTRUCTION	CASE / BLADE MATERIAL	MAXIMUM LEVEL AND / OR CLASSES
Group A 50mm Steel Stud 1 Layer of 12.5mm Type F Board Each Side (EI 30 Fire Resistance)	Galvanised Steel	E 90 (ve i↔o) S

THE OPENING IN THE WALL MUST BE LINED. THERE IS NO NEED TO FILL THE OPENING VOID.

A MINIMUM OF 75mm SEPARATION BETWEEN FIRE DAMPER AND ADJACENT WALL, FLOOR, OR CEILING & 200mm BETWEEN SINGLE SECTION DAMPERS.

TESTED INSTALLATION METHOD SHOWN. DIFFERING INSTALLATION METHODS TO THIS, MUST BE ACCEPTED BY THE BUILDING CONTROL AUTHORITY (BCA) BEFORE PROCEEDING. THEY WILL NEED TO REFER TO THIS DOCUMENT AND ASSOCIATED I, O & M IN ORDER TO CONSIDER APPROVAL.

Damper size (Wmm x Hmm) 100 x 100 to 1000 x 1000

BSB FSD-TD-AF

www.bsb-dampers.co.uk



I,O&M

CE DoP-FSD-TD-14

TESTED TO EN1366-2
CLASSIFIED TO EN13501-3

© THE CONTENT OF THIS DRAWING MUST NOT BE REPRODUCED IN WHOLE OR IN PART WITHOUT THE EXPRESS WRITTEN PERMISSION OF BSB ENGINEERING SERVICES LTD.



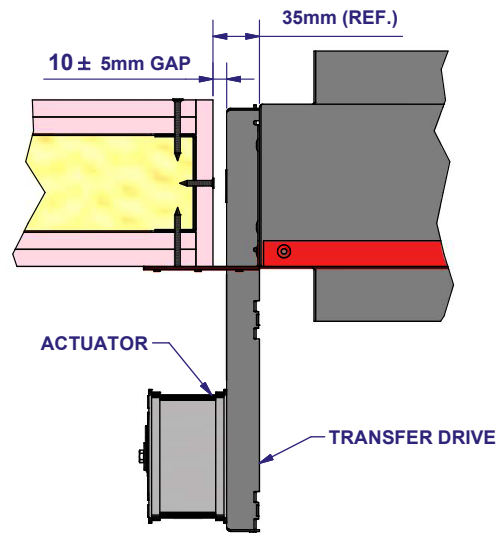
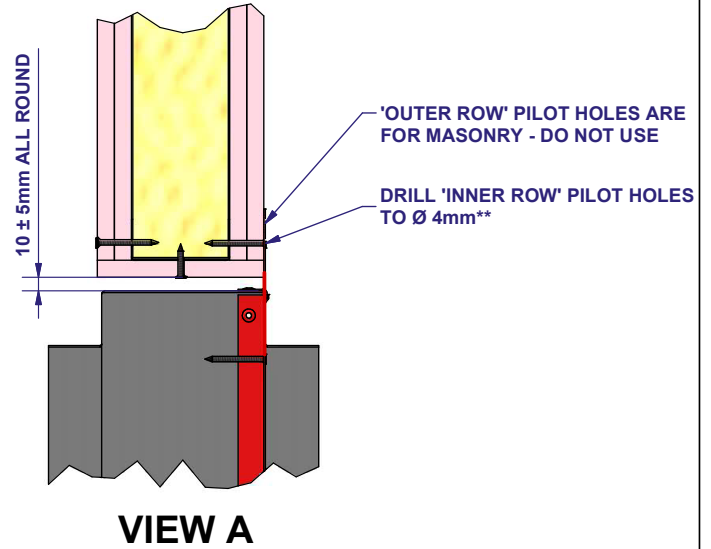
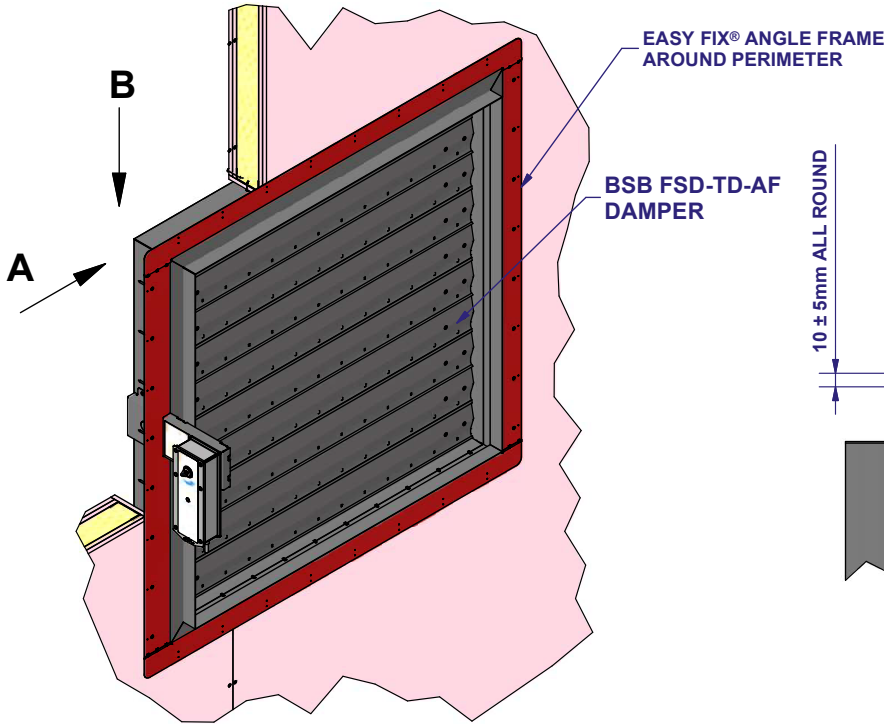
INSTALLATION METHOD

FSD-TD-AF DRY WALL

PLEASE REFER TO INSTALLATION, OPERATING AND MAINTENANCE DOCUMENT FOR DETAILED INFORMATION.
I, O & M AVAILABLE FROM QR CODE IN FOOTER.
USE BREAK-AWAY JOINTS (ALUMINIUM RIVETS) ON CONNECTING DUCTWORK.
CONNECTING DUCTWORK HAS BEEN OMITTED FOR CLARITY.

FSD-TD M9 r13

INSTALLATION METHOD	
SHEET	METHOD
1	SINGLE SKIN
2	DOUBLE SKIN



THE DAMPER IS CLASSIFIED TO BE INSTALLED IN EI 90 AND EI 120 SYMMETRICAL WALLS, WITH AND WITHOUT ACOUSTIC INSULATION.

THE SUPPORTING CONSTRUCTION MUST BE OF THE SAME TYPE WITH A FIRE RESISTANCE EQUAL TO EI 90 OR GREATER THAN THAT OF THE SUPPORTING CONSTRUCTION USED IN THE TEST (THICKER, DENSER, MORE LAYERS OF BOARD AS APPROPRIATE).

CLASSIFICATION		
MINIMUM CONSTRUCTION	CASE / BLADE MATERIAL	MAXIMUM LEVEL AND / OR CLASSES
Group B 70mm Steel Stud 2 Layers of 12.5mm Type F Board Each Side (EI 90 Fire Resistance)	Galvanised Steel or 430 Stainless Steel	E 120 (ve i↔o) S

THE OPENING IN THE WALL MUST BE LINED.
THERE IS NO NEED TO FILL THE OPENING VOID.

A MINIMUM OF 75mm SEPARATION BETWEEN FIRE DAMPER AND ADJACENT WALL, FLOOR, OR CEILING & 200mm BETWEEN SINGLE SECTION DAMPERS.

TESTED INSTALLATION METHOD SHOWN. DIFFERING INSTALLATION METHODS TO THIS, MUST BE ACCEPTED BY THE BUILDING CONTROL AUTHORITY (BCA) BEFORE PROCEEDING. THEY WILL NEED TO REFER TO THIS DOCUMENT AND ASSOCIATED I, O & M IN ORDER TO CONSIDER APPROVAL.

Damper size (Wmm x Hmm) 100 x 100 to 1000 x 1000

BSB FSD-TD-AF

www.bsb-dampers.co.uk



SCAN ME
I,O&M

CE DoP-FSD-TD-14

TESTED TO EN1366-2
CLASSIFIED TO EN13501-3

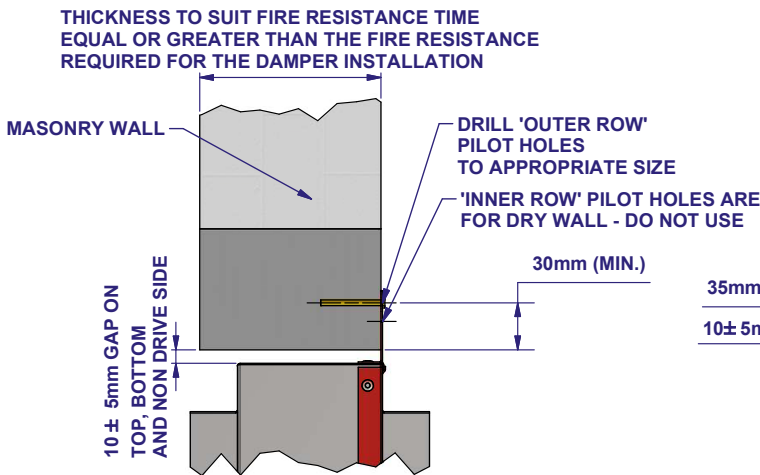
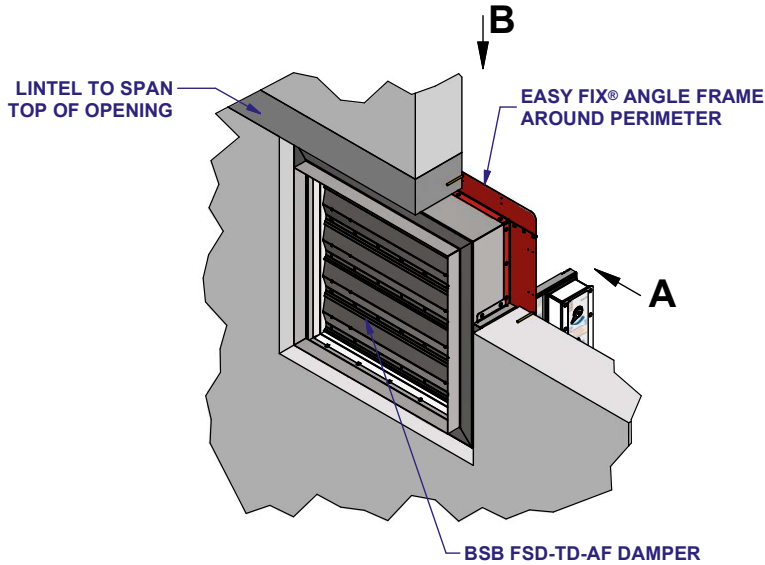
© THE CONTENT OF THIS DRAWING MUST NOT BE REPRODUCED IN WHOLE OR IN PART WITHOUT THE EXPRESS WRITTEN PERMISSION OF BSB ENGINEERING SERVICES LTD.



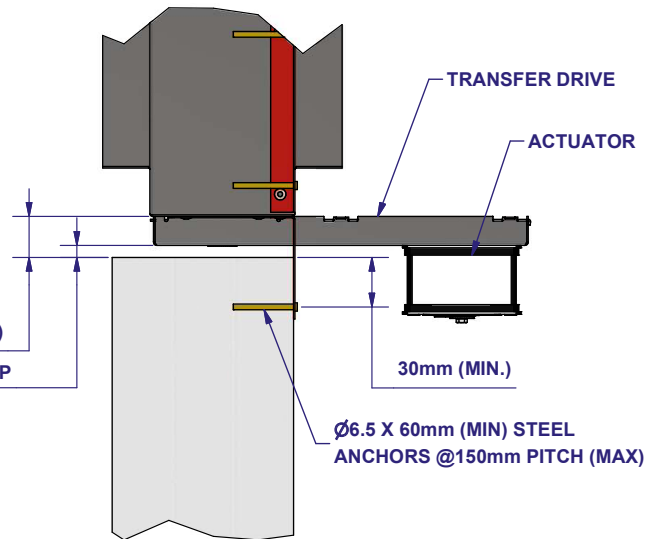
INSTALLATION METHOD FSD-TD-AF MASONRY WALL

PLEASE REFER TO INSTALLATION, OPERATING AND MAINTENANCE DOCUMENT FOR DETAILED INFORMATION.
I, O & M AVAILABLE FROM QR CODE IN FOOTER.
USE BREAK-AWAY JOINTS (ALUMINIUM RIVETS) ON CONNECTING DUCTWORK.
CONNECTING DUCTWORK HAS BEEN OMITTED FOR CLARITY.

FSD-TD M10 r6



VIEW A



VIEW B

CLASSIFICATION		
MINIMUM CONSTRUCTION	CASE / BLADE MATERIAL	MAXIMUM LEVEL AND / OR CLASSES
100mm Thick Masonry Density 650kg/m ³	Galvanised Steel or 430 Stainless Steel	E 120 (ve i↔o) S

THERE IS NO NEED TO FILL THE OPENING VOID.

A MINIMUM OF 75mm SEPARATION BETWEEN FIRE DAMPER AND ADJACENT WALL, FLOOR, OR CEILING & 200mm BETWEEN SINGLE SECTION DAMPERS.

TESTED INSTALLATION METHOD SHOWN. DIFFERING INSTALLATION METHODS TO THIS, MUST BE ACCEPTED BY THE BUILDING CONTROL AUTHORITY (BCA) BEFORE PROCEEDING. THEY WILL NEED TO REFER TO THIS DOCUMENT AND ASSOCIATED I, O & M IN ORDER TO CONSIDER APPROVAL.

Damper size (Wmm x Hmm) 100 x 100 to 1000 x 1000

BSB FSD-TD-AF

www.bsb-dampers.co.uk



I,O&M

CE DoP-FSD-TD-14

TESTED TO EN 1366-2
CLASSIFIED TO EN 13501-3

© THE CONTENT OF THIS DRAWING
MUST NOT BE REPRODUCED IN
WHOLE OR IN PART WITHOUT THE
EXPRESS WRITTEN PERMISSION OF
BSB ENGINEERING SERVICES LTD.



ECN 302

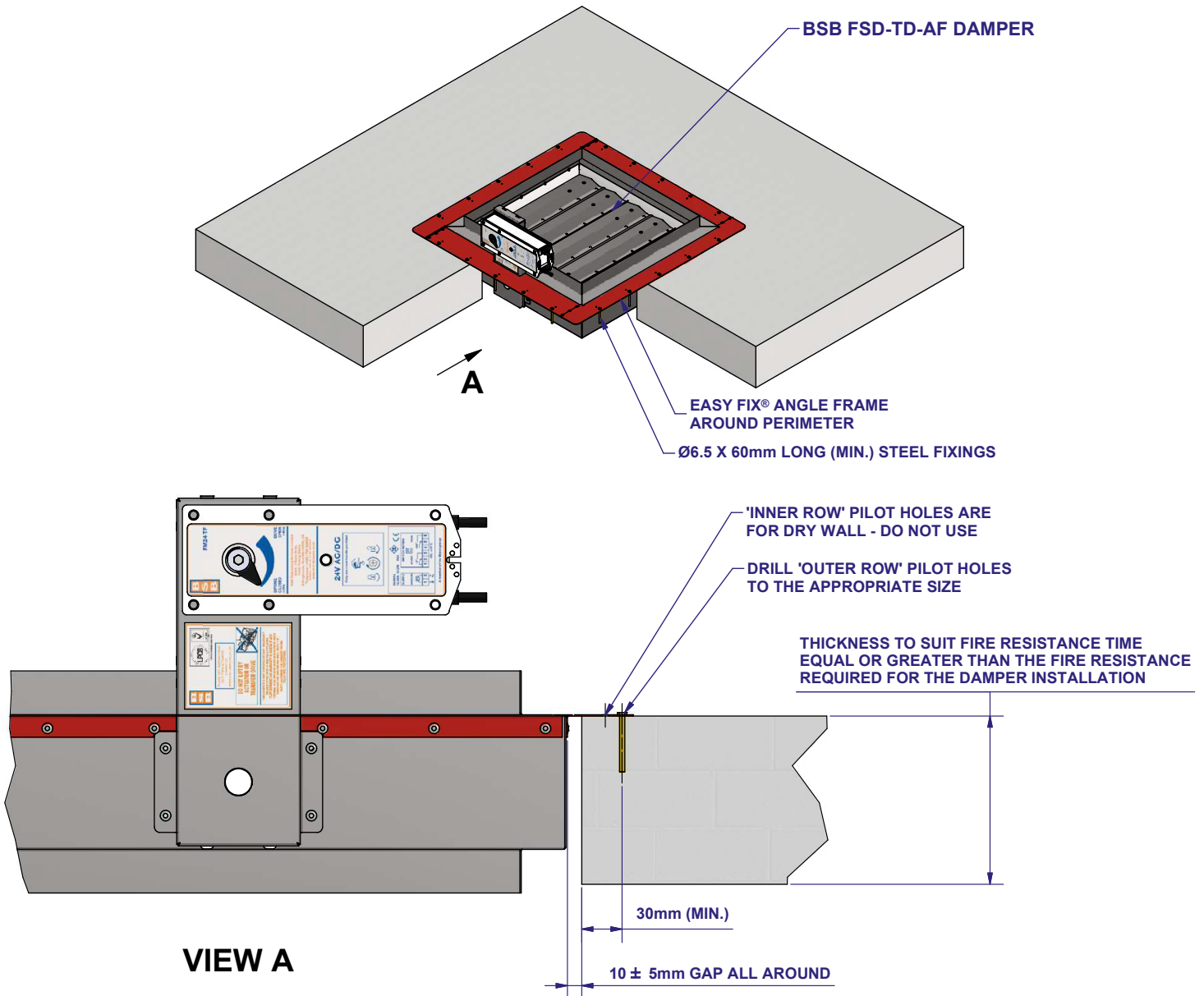
INSTALLATION METHOD FSD-TD-AF MASONRY FLOOR

PLEASE REFER TO INSTALLATION, OPERATING AND MAINTENANCE DOCUMENT FOR DETAILED INFORMATION.

FSD-TD M11-r7

I, O & M AVAILABLE FROM QR CODE IN FOOTER.

USE BREAK-AWAY JOINTS (ALUMINIUM RIVETS) ON CONNECTING DUCTWORK.
CONNECTING DUCTWORK HAS BEEN OMITTED FOR CLARITY.





CLASSIFICATION		
MINIMUM CONSTRUCTION	CASE / BLADE MATERIAL	MAXIMUM LEVEL AND / OR CLASSES
150mm Thick Masonry Density 580kg/m ³	Galvanised Steel or 430 Stainless Steel	E 120 (ho i←o) S

THERE IS NO NEED TO FILL THE OPENING VOID.

A MINIMUM OF 75mm SEPARATION BETWEEN FIRE DAMPER AND ADJACENT WALL, FLOOR, OR CEILING & 200mm BETWEEN SINGLE SECTION DAMPERS.

TESTED INSTALLATION METHOD SHOWN. DIFFERING INSTALLATION METHODS TO THIS, MUST BE ACCEPTED BY THE BUILDING CONTROL AUTHORITY (BCA) BEFORE PROCEEDING. THEY WILL NEED TO REFER TO THIS DOCUMENT AND ASSOCIATED I, O & M IN ORDER TO CONSIDER APPROVAL.

Damper size (Wmm x Hmm) 100 x 100 to 1000 x 1000		CE DoP-FSD-TD-14	
BSB FSD-TD-AF	 SCAN ME I,O&M		
www.bsb-dampers.co.uk			

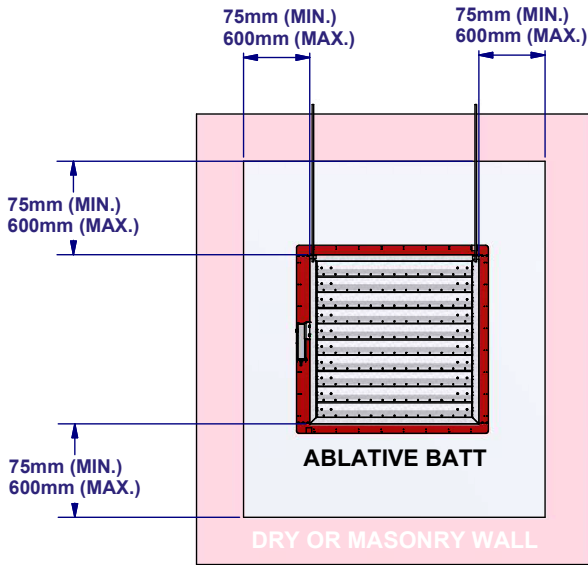
INSTALLATION METHOD

FSD-TD-BATT

PLEASE REFER TO INSTALLATION, OPERATING AND MAINTENANCE DOCUMENT FOR DETAILED INFORMATION.

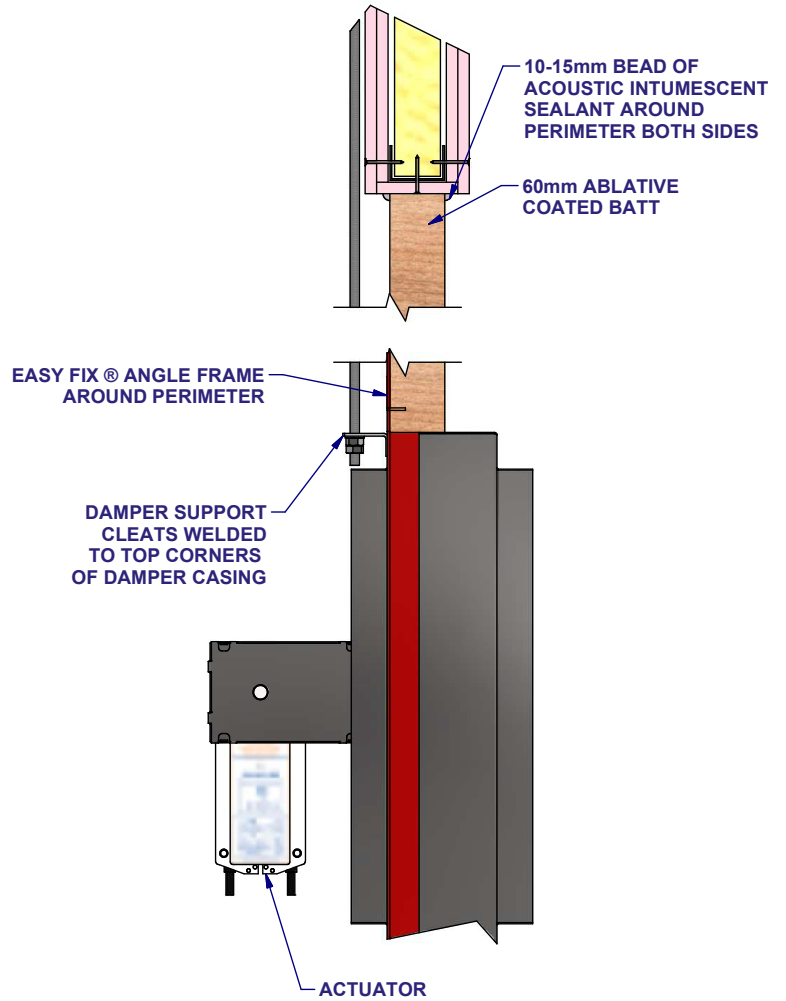
FSD-TD-BATT M12-r4

I, O & M AVAILABLE FROM QR CODE IN FOOTER.
USE BREAK-AWAY JOINTS (ALUMINIUM RIVETS) ON CONNECTING DUCTWORK.
CONNECTING DUCTWORK HAS BEEN OMITTED FOR CLARITY.

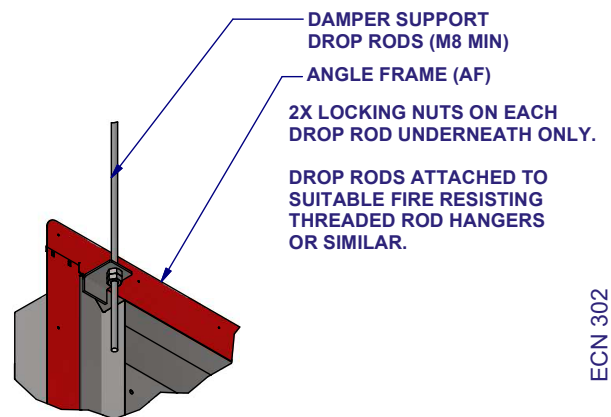


ROCKWOOL ABLATIVE BATT MIN/MAX SIZES

FRONT VIEW



CLASSIFICATION		
MINIMUM CONSTRUCTION	CASE / BLADE MATERIAL	MAXIMUM LEVEL AND / OR CLASSES
Group B 70mm Steel Stud 2 Layers of 12.5mm Type F Board Each Side (EI 90 Fire Resistance) Single layer of 60mm Ablative Batt Density 180kg/m ³	Galvanised Steel	E 120 (ve i↔o) S
150mm Thick Masonry Density 650kg/m ³ Single layer of 60mm Ablative Batt Density 180kg/m ³	Galvanised Steel	E 120 (ve i↔o) S



A MINIMUM OF 75mm SEPARATION BETWEEN FIRE DAMPER AND ADJACENT WALL, FLOOR, OR CEILING & 200mm BETWEEN SINGLE SECTION DAMPERS.

TESTED INSTALLATION METHOD SHOWN. DIFFERING INSTALLATION METHODS TO THIS, MUST BE ACCEPTED BY THE BUILDING CONTROL AUTHORITY (BCA) BEFORE PROCEEDING. THEY WILL NEED TO REFER TO THIS DOCUMENT AND ASSOCIATED I, O & M IN ORDER TO CONSIDER APPROVAL.

Damper size (Wmm x Hmm) 100 x 100 to 1000 x 1000

BSB FSD-TD-AF-BATT



www.bsb-dampers.co.uk

I,O&M

CE DoP-FSD-TD-14

TESTED TO EN1366-2
CLASSIFIED TO EN13501-3

© THE CONTENT OF THIS DRAWING
MUST NOT BE REPRODUCED IN
WHOLE OR IN PART WITHOUT THE
EXPRESS WRITTEN PERMISSION OF
BSB ENGINEERING SERVICES LTD.



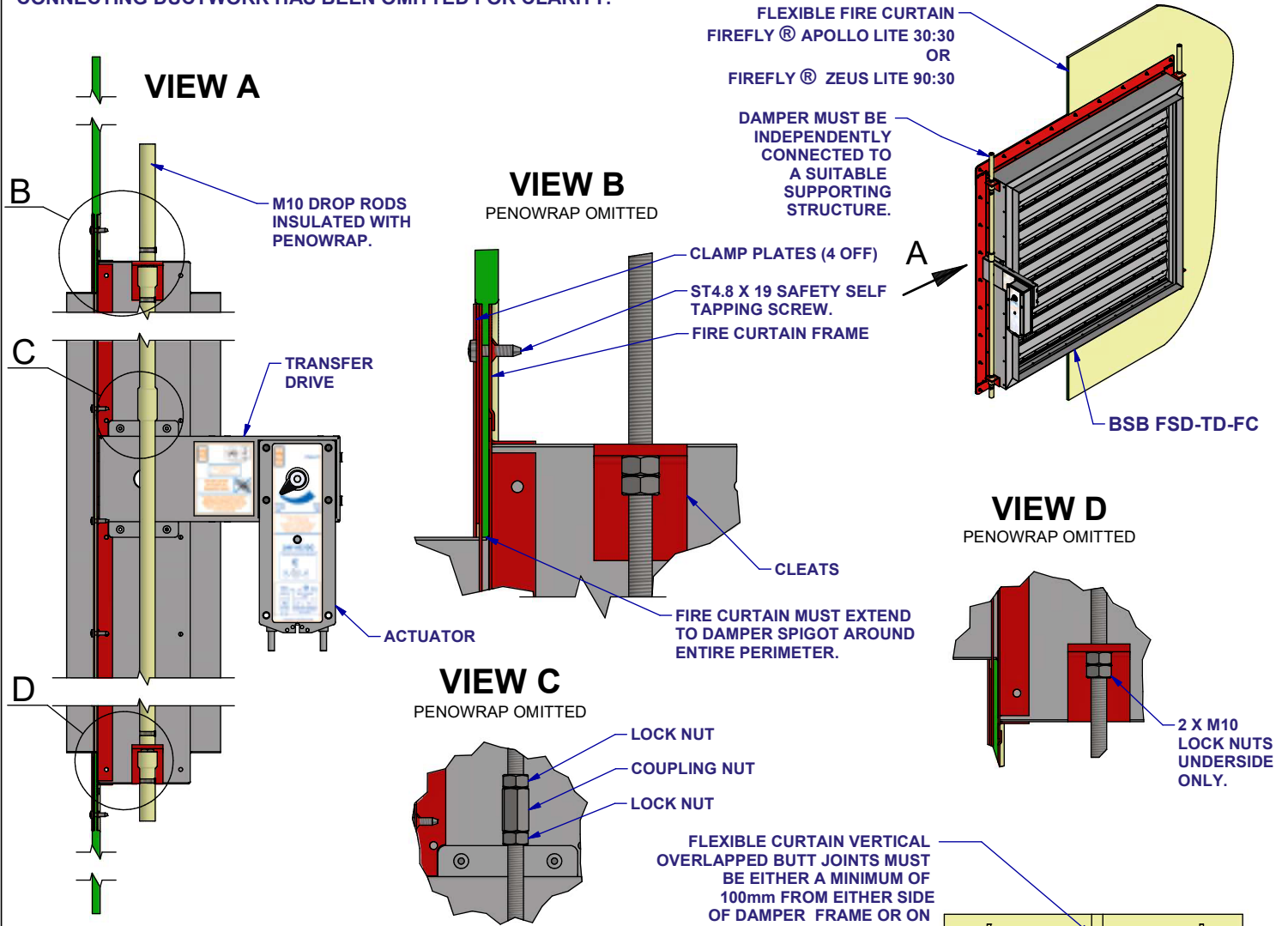
INSTALLATION METHOD FSD-TD-FC FIRE CURTAIN FRAME

A brand of
MAICO

A brand of
MAICO

PLEASE REFER TO INSTALLATION, OPERATING AND MAINTENANCE DOCUMENT FOR DETAILED INFORMATION. FLEXIBLE FIRE CURTAIN TO BE INSTALLED TO FIREFLY® INSTALLATION GUIDE. I, O & M AVAILABLE FROM QR CODE IN FOOTER
USE BREAK-AWAY JOINTS (ALUMINIUM RIVETS) ON CONNECTING DUCTWORK.
CONNECTING DUCTWORK HAS BEEN OMITTED FOR CLARITY.

FSD-TD M14-r0



CLASSIFICATION		
MINIMUM CONSTRUCTION	CASE / BLADE MATERIAL	MAXIMUM LEVEL AND / OR CLASSES
Apollo Lite 30:30 Minimum Thickness 6mm	Galvanised Steel	E 60 (ve i↔o) S
Zeus Lite 90:30 Minimum Thickness 6mm	Galvanised Steel	E 90 (ve i↔o) S

ALL FIXING SCREWS MUST BE SECURELY FIXED TO FIRE CURTAIN FRAME.
IT IS ACCEPTABLE TO USE A COUPLING NUT + LOCK NUT SHOWN IN VIEW C, POSITIONED ANYWHERE BETWEEN CLEATS.
BLADES TO BE IN HORIZONTAL PLANE.
A MINIMUM SEPARATION OF 75mm BETWEEN FIRE DAMPER AND ADJACENT WALL, FLOOR OR CEILING & 200mm BETWEEN DAMPERS.

TESTED INSTALLATION METHOD SHOWN. DIFFERING INSTALLATION METHODS TO THIS, MUST BE ACCEPTED BY THE BUILDING CONTROL AUTHORITY (BCA) BEFORE PROCEEDING. THEY WILL NEED TO REFER TO THIS DOCUMENT AND ASSOCIATED I, O & M IN ORDER TO CONSIDER APPROVAL.

Damper size (Wmm x Hmm) 100 x 100 to 1000 x 1000

BSB FSD-TD-FC



I,O&M

CE DoP-FSD-TD-14

TESTED TO EN1366-2
CLASSIFIED TO EN13501-3

© THE CONTENT OF THIS DRAWING MUST NOT BE REPRODUCED IN WHOLE OR IN PART WITHOUT THE EXPRESS WRITTEN PERMISSION OF BSB ENGINEERING SERVICES LTD.



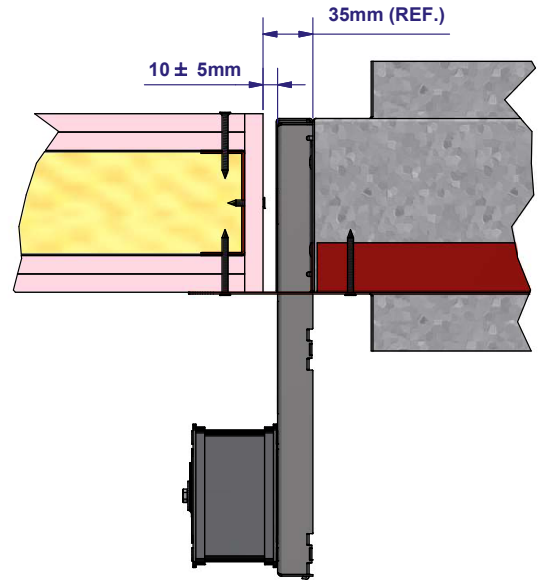
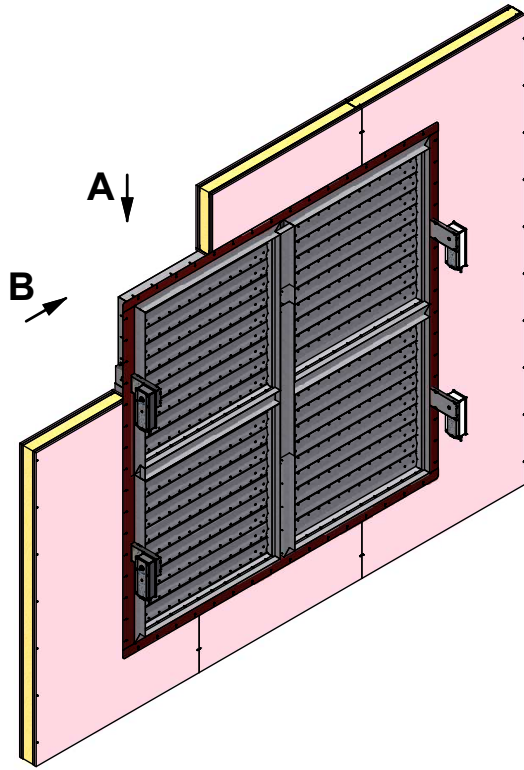
www.bsb-dampers.co.uk

INSTALLATION METHOD

MULTIPLE FSD-TD-AF DRY WALL

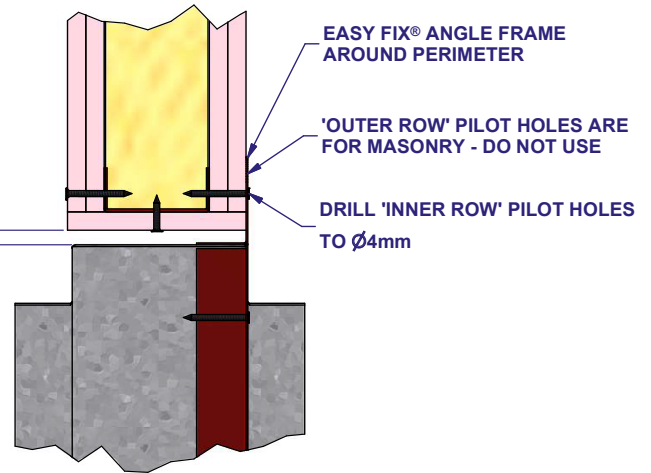
PLEASE REFER TO INSTALLATION, OPERATING AND MAINTENANCE DOCUMENT FOR DETAILED INFORMATION.
I, O & M AVAILABLE FROM QR CODE IN FOOTER.
USE BREAK-AWAY JOINTS (ALUMINIUM RIVETS) ON CONNECTING DUCTWORK.
CONNECTING DUCTWORK HAS BEEN OMITTED FOR CLARITY.

FSD-TD M9-r13 MULTI



VIEW A

10 ± 5mm GAP ON TOP, BOTTOM AND NON DRIVE SIDE



VIEW B

THE DAMPER IS CLASSIFIED TO BE INSTALLED IN EI 90 AND EI 120 SYMMETRICAL WALLS, WITH AND WITHOUT ACOUSTIC INSULATION.

THE SUPPORTING CONSTRUCTION MUST BE OF THE SAME TYPE WITH A FIRE RESISTANCE EQUAL TO EI 90 OR GREATER THAN THAT OF THE SUPPORTING CONSTRUCTION USED IN THE TEST (THICKER, DENSER, MORE LAYERS OF BOARD, AS APPROPRIATE).

CLASSIFICATION		
MINIMUM CONSTRUCTION	CASE / BLADE MATERIAL	MAXIMUM LEVEL AND / OR CLASSES
Group B 70mm Steel Stud 2 Layers of 12.5mm Type F Board Each Side (EI 90 Fire Resistance)	Galvanised Steel	E 120 (ve i↔o) S

THE OPENING IN THE WALL MUST BE LINED. THERE IS NO NEED TO FILL THE OPENING VOID.

A MINIMUM OF 75mm SEPARATION BETWEEN FIRE DAMPER AND ADJACENT WALL, FLOOR, OR CEILING & 200mm BETWEEN DAMPER ARRAYS.

**PERMITTED MULTIPLE ARRANGEMENT:
UP TO 2 UNITS HIGH AND 2 UNITS WIDE,
PROVIDING THAT THEY ARE STRUCTURALLY
SUPPORTED TO A FIRE-SAFE DESIGN PROVIDED
BY STRUCTURAL ENGINEERS.**

TESTED INSTALLATION METHOD SHOWN. DIFFERING INSTALLATION METHODS TO THIS, MUST BE ACCEPTED BY THE BUILDING CONTROL AUTHORITY (BCA) BEFORE PROCEEDING. THEY WILL NEED TO REFER TO THIS DOCUMENT AND ASSOCIATED I, O & M IN ORDER TO CONSIDER APPROVAL.

For sizes larger than 1000mm x 1000mm single section dampers

BSB FSD-TD-AF MULTIPLE DAMPER ARRANGEMENT

www.bsb-dampers.co.uk



SCAN ME
I, O & M

CE DoP-FSD-TD-14

TESTED TO EN1366-2
CLASSIFIED TO EN13501-3

© THE CONTENT OF THIS DRAWING MUST NOT BE REPRODUCED IN WHOLE OR IN PART WITHOUT THE EXPRESS WRITTEN PERMISSION OF BSB ENGINEERING SERVICES LTD.

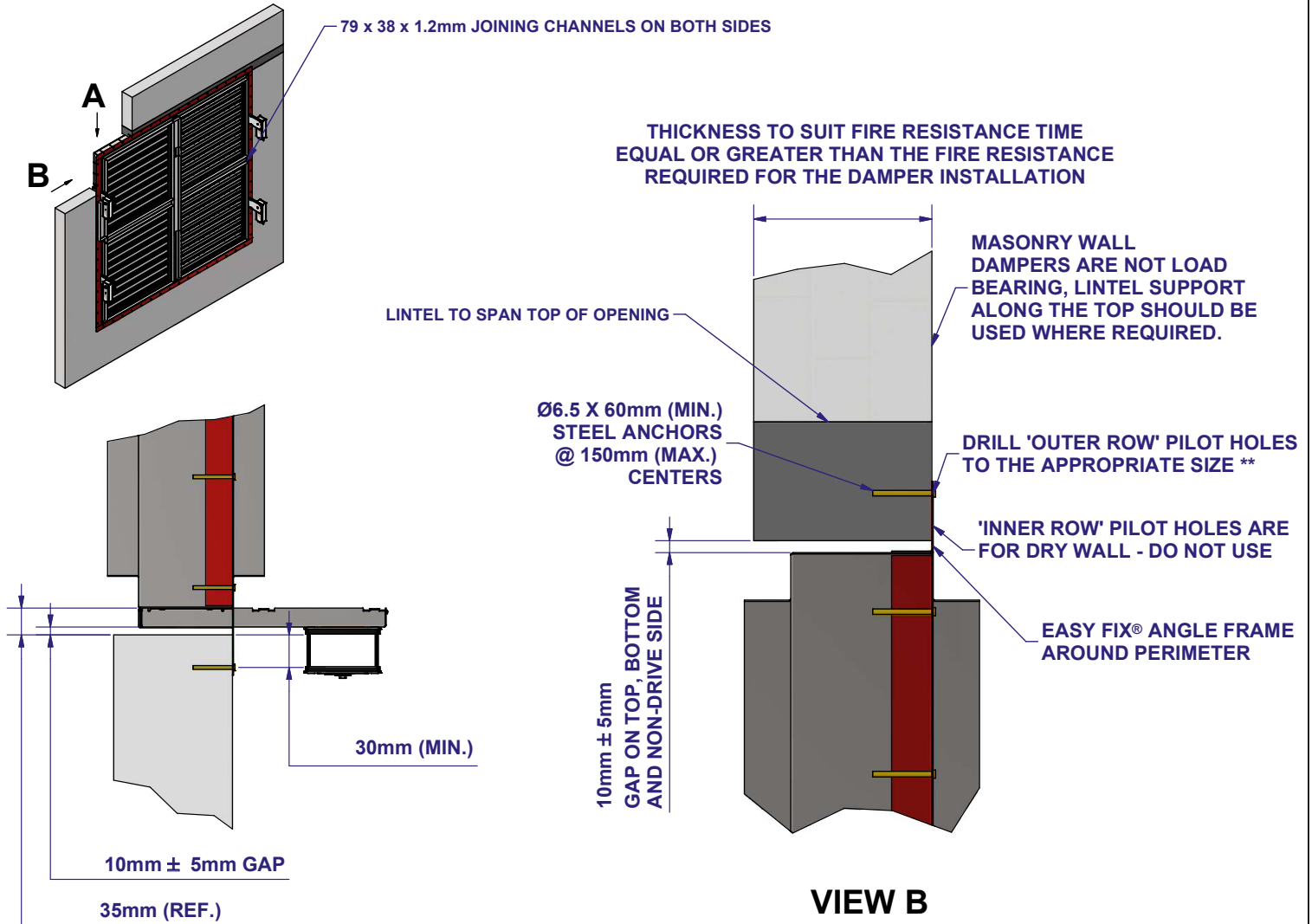


INSTALLATION METHOD

MULTIPLE FSD-TD-AF MASONRY WALL

PLEASE REFER TO INSTALLATION, OPERATING AND MAINTENANCE DOCUMENT FOR DETAILED INFORMATION.
I, O & M AVAILABLE FROM QR CODE IN FOOTER.
USE BREAK-AWAY JOINTS (ALUMINIUM RIVETS) ON CONNECTING DUCTWORK.
CONNECTING DUCTWORK HAS BEEN OMITTED FOR CLARITY.

FSD-TD M10 MULTI



**** PILOT HOLES ARE POSITIONED ASSUMING DAMPER POSITIONED CENTRALLY IN CORRECTLY SIZED OPENING. REFER TO I, O & M FOR FULL DETAILS**

PERMITTED MULTIPLE ARRANGEMENT: UP TO 2 UNITS HIGH AND ANY QUANTITY OF UNITS WIDE, PROVIDING THAT THEY ARE STRUCTURALLY SUPPORTED TO A FIRE-SAFE DESIGN PROVIDED BY STRUCTURAL ENGINEERS.

THERE IS NO NEED TO FILL THE OPENING VOID.
A MINIMUM OF 75mm SEPARATION BETWEEN FIRE DAMPER AND ADJACENT WALL, FLOOR, OR CEILING & 200mm BETWEEN DAMPER ARRAYS.

TESTED INSTALLATION METHOD SHOWN. DIFFERING INSTALLATION METHODS TO THIS, MUST BE ACCEPTED BY THE BUILDING CONTROL AUTHORITY (BCA) BEFORE PROCEEDING. THEY WILL NEED TO REFER TO THIS DOCUMENT AND ASSOCIATED I, O & M IN ORDER TO CONSIDER APPROVAL.

For sizes larger than 1000mm x 1000mm single section dampers

BSB FSD-TD-AF MULTIPLE DAMPER ARRANGEMENT

www.bsb-dampers.co.uk



SCAN ME
I, O & M

CE DoP-FSD-TD-14

TESTED TO EN1366-2
CLASSIFIED TO EN13501-3

© THE CONTENT OF THIS DRAWING MUST NOT BE REPRODUCED IN WHOLE OR IN PART WITHOUT THE EXPRESS WRITTEN PERMISSION OF BSB ENGINEERING SERVICES LTD.



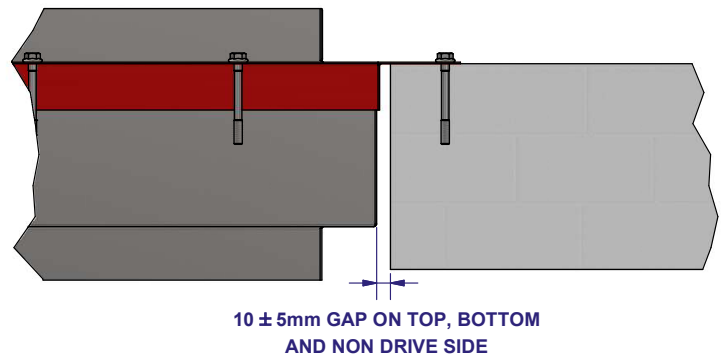
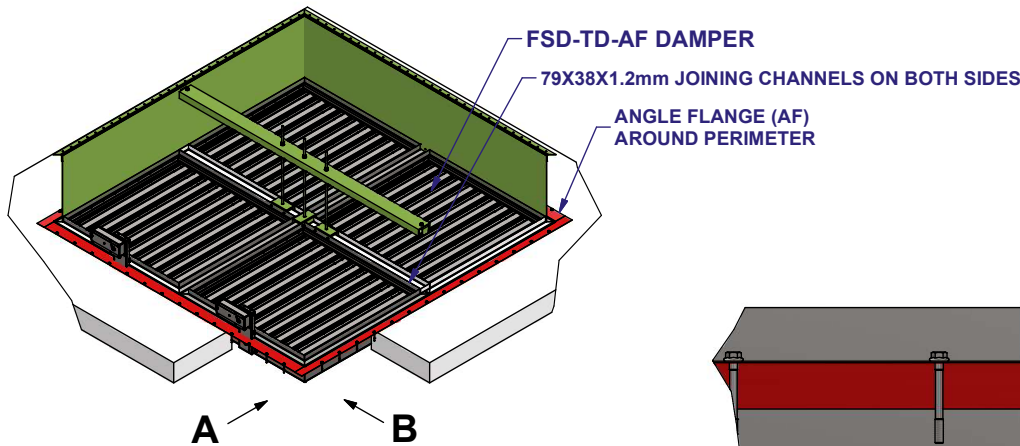
INSTALLATION METHOD

MULTIPLE FSD-TD-AF MASONRY FLOOR

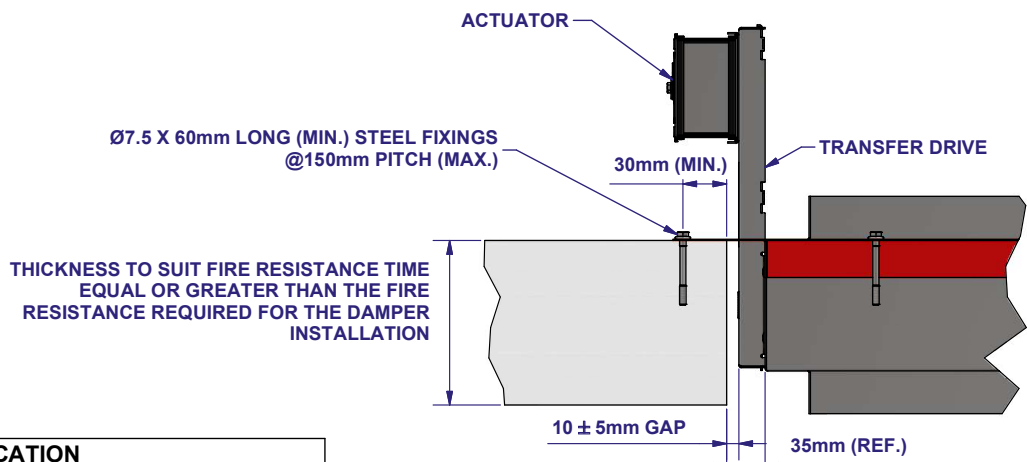
PLEASE REFER TO INSTALLATION, OPERATING AND MAINTENANCE DOCUMENT FOR DETAILED INFORMATION.
I, O & M AVAILABLE FROM QR CODE IN FOOTER.
USE BREAK-AWAY JOINTS (ALUMINIUM RIVETS) ON CONNECTING DUCTWORK.
CONNECTING DUCTWORK HAS BEEN OMITTED FOR CLARITY ON VIEWS A & B.

FSD-TD M11 MULTI

SHEET 1 OF 2



VIEW A



VIEW B

PERMITTED MULTIPLE ARRANGEMENT: UP TO 2 UNITS HIGH AND 2 UNITS WIDE, PROVIDING THAT THEY ARE STRUCTURALLY SUPPORTED TO A FIRE-SAFE DESIGN PROVIDED BY STRUCTURAL ENGINEERS.

CLASSIFICATION		
MINIMUM CONSTRUCTION	CASE / BLADE MATERIAL	MAXIMUM LEVEL AND / OR CLASSES
150mm Thick Masonry Density 2400kg/m ³	Galvanised Steel	E 120 (ve i↔o) S

A MINIMUM OF 75mm SEPARATION BETWEEN FIRE DAMPER AND ADJACENT WALL, FLOOR, OR CEILING & 200mm BETWEEN DAMPER ARRAYS.

GREEN COLOURED ITEMS MUST BE STEEL AND ARE SUPPLIED BY OTHERS.
TESTED EXAMPLE SHOWN, HOWEVER CONSTRUCTION CAN DEVIATE TO A FIRE-SAFE DESIGN PROVIDED APPROVAL FROM A STRUCTURAL ENGINEER HAS BEEN ACQUIRED.

TESTED INSTALLATION METHOD SHOWN. DIFFERING INSTALLATION METHODS TO THIS, MUST BE ACCEPTED BY THE BUILDING CONTROL AUTHORITY (BCA) BEFORE PROCEEDING. THEY WILL NEED TO REFER TO THIS DOCUMENT AND ASSOCIATED I, O & M IN ORDER TO CONSIDER APPROVAL.

For sizes larger than 1000mm x 1000mm single section dampers

BSB FSD-TD-AF MULTIPLE DAMPER ARRANGEMENT

www.bsb-dampers.co.uk



I, O & M

CE DoP-FSD-TD-13

TESTED TO EN1366-2
CLASSIFIED TO EN13501-3

© THE CONTENT OF THIS DRAWING MUST NOT BE REPRODUCED IN WHOLE OR IN PART WITHOUT THE EXPRESS WRITTEN PERMISSION OF BSB ENGINEERING SERVICES LTD.



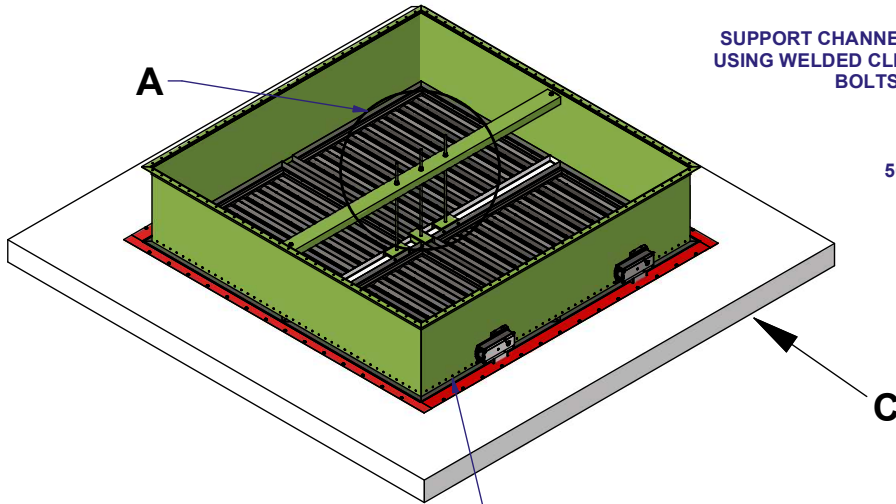
INSTALLATION METHOD

MULTIPLE FSD-TD-AF MASONRY FLOOR

PLEASE REFER TO INSTALLATION, OPERATING AND MAINTENANCE DOCUMENT FOR DETAILED INFORMATION
I, O & M AVAILABLE FROM QR CODE IN FOOTER
USE BREAK-AWAY JOINTS (ALUMINIUM RIVETS) ON CONNECTING DUCTWORK.

FSD-TD M11 MULTI

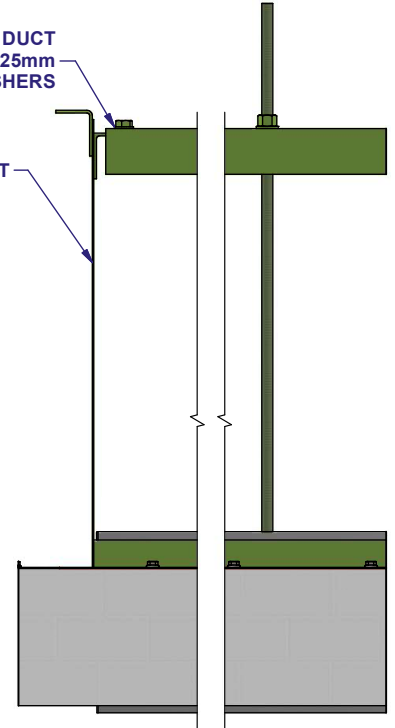
SHEET 2 OF 2



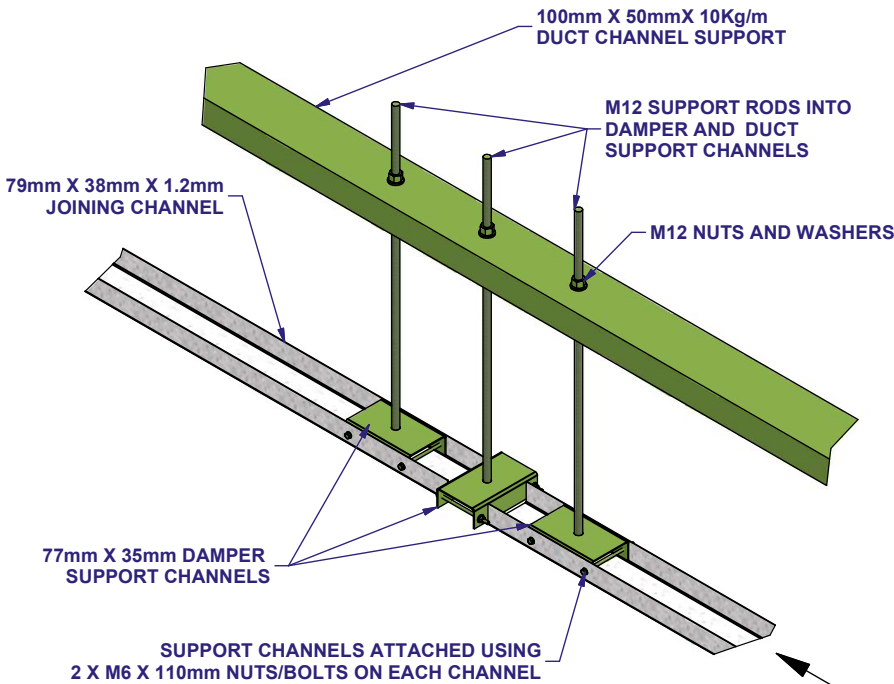
DUCT CONNECTED TO DAMPER SPIGOT
USING Ø4.8mm RIVETS
@50mm PITCH ALL AROUND

SUPPORT CHANNEL ATTACHED TO DUCT
USING WELDED CLEATS AND M10 X 25mm
BOLTS, NUTS AND WASHERS

500mm STUB DUCT



VIEW C



79mm X 38mm X 1.2mm
JOINING CHANNEL

100mm X 50mm X 10Kg/m
DUCT CHANNEL SUPPORT

M12 SUPPORT RODS INTO
DAMPER AND DUCT
SUPPORT CHANNELS

M12 NUTS AND WASHERS

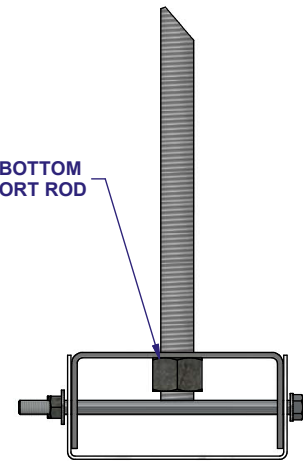
77mm X 35mm DAMPER
SUPPORT CHANNELS

SUPPORT CHANNELS ATTACHED USING
2 X M6 X 110mm NUTS/BOLTS ON EACH CHANNEL

VIEW A

B

M12 NUT AT BOTTOM
OF SUPPORT ROD



VIEW B

A MINIMUM OF 75mm SEPARATION BETWEEN FIRE DAMPER AND ADJACENT
WALL, FLOOR, OR CEILING & 200mm BETWEEN DAMPER ARRAYS.

GREEN COLOURED ITEMS MUST BE STEEL AND ARE SUPPLIED BY OTHERS.
TESTED EXAMPLE SHOWN, HOWEVER CONSTRUCTION CAN DEVIATE TO A
FIRE-SAFE DESIGN PROVIDED APPROVAL FROM A STRUCTURAL ENGINEER HAS BEEN ACQUIRED.

**PERMITTED MULTIPLE ARRANGEMENT:
UP TO 2 UNITS HIGH AND 2 UNITS WIDE,
PROVIDING THAT THEY ARE STRUCTURALLY
SUPPORTED TO A FIRE-SAFE DESIGN PROVIDED
BY STRUCTURAL ENGINEERS.**

TESTED INSTALLATION METHOD SHOWN. DIFFERING INSTALLATION METHODS TO THIS, MUST BE ACCEPTED BY THE
BUILDING CONTROL AUTHORITY (BCA) BEFORE PROCEEDING. THEY WILL NEED TO REFER TO THIS DOCUMENT AND
ASSOCIATED I, O & M IN ORDER TO CONSIDER APPROVAL.

For sizes larger than 1000mm x 1000mm single section dampers

**BSB FSD-TD-AF MULTIPLE DAMPER
ARRANGEMENT**

www.bsb-dampers.co.uk



I, O & M

CE DoP-FSD-TD-13

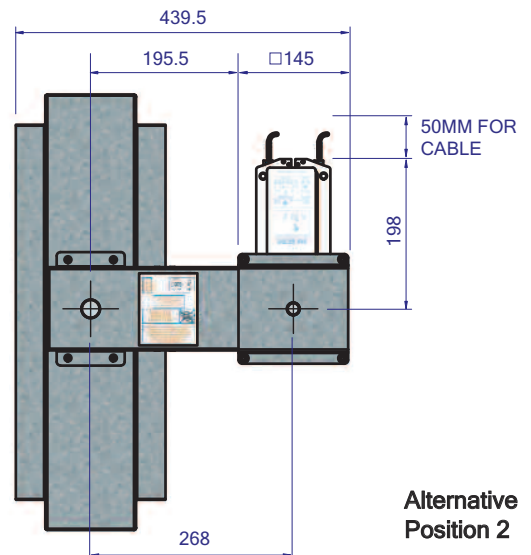
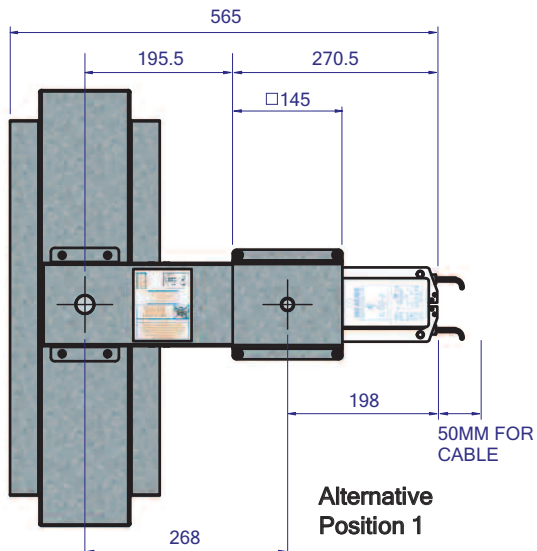
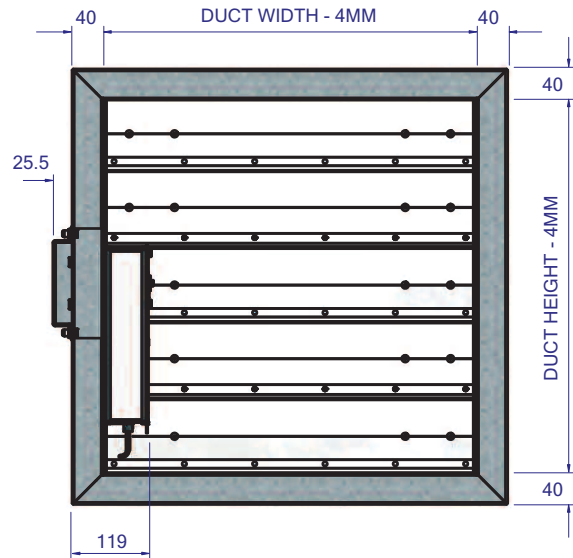
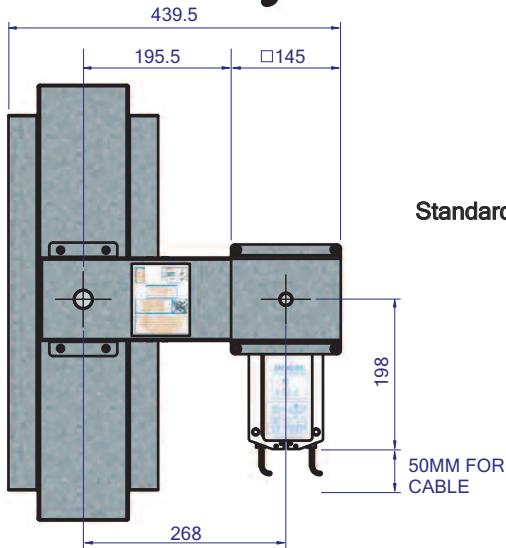
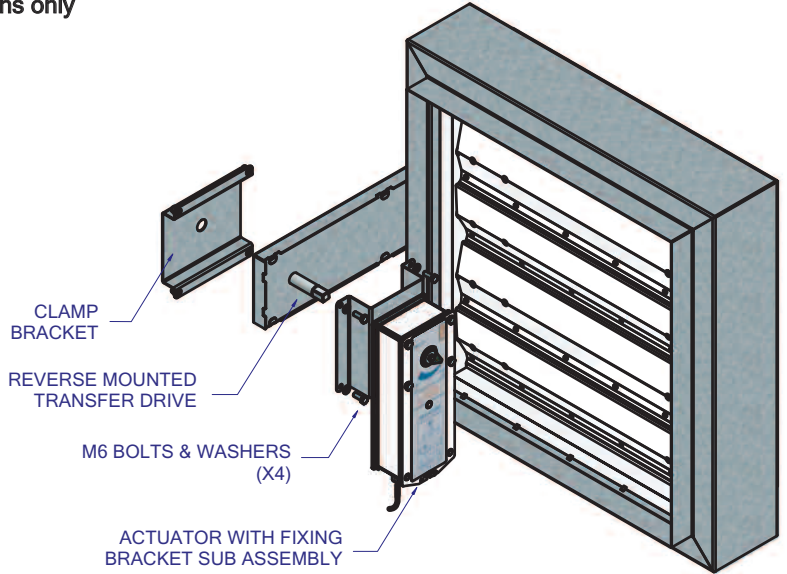
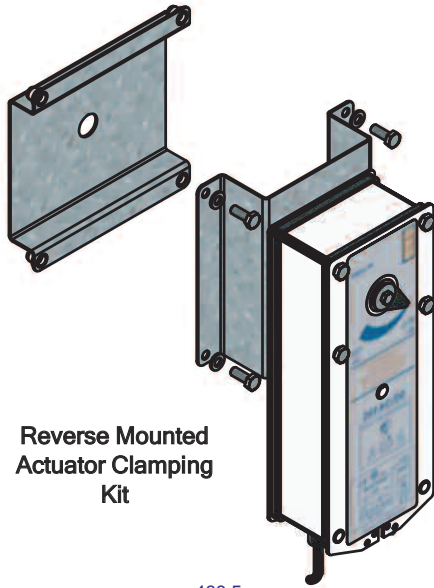
TESTED TO EN1366-2
CLASSIFIED TO EN13501-3

© THE CONTENT OF THIS DRAWING
MUST NOT BE REPRODUCED IN
WHOLE OR IN PART WITHOUT THE
EXPRESS WRITTEN PERMISSION OF
BSB ENGINEERING SERVICES LTD.



BSB FSD-TD

Reverse Mounted - Suitable for ductless installations only



FSD-TD Series

Fire and Smoke Dampers - General Information

Maintenance

FSD-TD Series dampers are designed for normal dry filtered air systems. A programme of planned inspections should be carried out to include full operational checks, correct interface with, and function of, any control systems, cleaning and light lubrication.

As a guide, this should take place on a maximum of six months intervals.

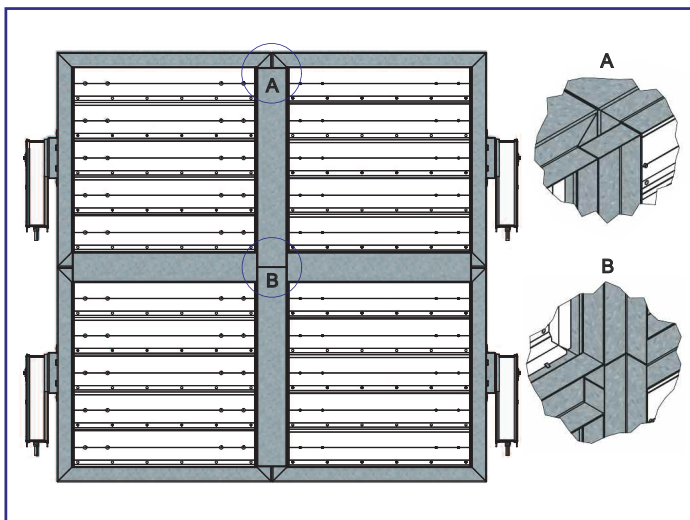
Reference should be made to BS 9999 for more information.

Records of damper installation and position shall be kept.

Records of the condition of the dampers and their functionality/repair etc should be kept as these products come under the requirements of the Regulatory Reform (Fire Safety) Order (RRFSO).

These inspection and maintenance programmes may need to be repeated more regularly if the dampers are exposed to inclement/dusty conditions or fresh air intakes and the frequency of such checks should be reviewed based on site experience.

Multiple Assemblies



FSD-TD Series dampers can be supplied in multiple module sections to achieve requested sizes larger than the maximum manufactured single module units. These will be supplied as right hand and left hand pairs as shown above.

Such units and their installation method must be approved by the building control before installation. For this, consideration must be given to additional structural steelwork that might be needed to support the weight of the damper. BSB cannot offer or approve supporting structures for multiple assemblies.

Joining channels have capped ends to provide the benefit of a continuous perimeter spigot.

When there are transportation restrictions, large multiple units will be shipped in individual sections for site assembly by others. Joining channels are supplied un-drilled unless requested. Large multiple units required to be shipped fully assembled will incur additional packing/shipping costs. Please contact our sales office for further information.

Storage

Dampers received on site should be stored in a purpose made storage area, where they can be protected from moisture, dust and impact damage until required.

Damper Control Panels

BSB offer two alternative panels when monitoring and controlling dampers. The Electro Mechanical System and the Fully Addressable System.

Electro mechanical panels are generally used for up to 30 dampers and where hard wiring costs are not an issue. The control system being hardwired and the fascia being engraved, means that any changes will require physical alterations and additional costs.

The fully addressable panel is fully software programmable allowing for additional dampers or changes to the "cause and effect" being reprogrammed by an engineer on site.

For additional functions and options to meet all site and system requirements, please contact our sales office.



Standard Electro Mechanical Control and Monitoring System

Provides a straight forward control panel offering the most common features called for as standard.

Due to differing site control and monitoring properties, damper actuators will be connected to site wiring when installed by the contractor to provide the relevant functions.



Premier Electro Mechanical Control and Monitoring System

Controls and monitors a number of smoke/fire dampers hard wired individually or in groups, in a single or multiple zone arrangement.

Dampers can be individually or collectively controlled and are continuously monitored.

Due to differing site control and monitoring properties, damper actuators will be connected to site wiring when installed by the contractor to provide the relevant functions.



Fully Addressable Control and Monitoring System

Software driven panel simplified installation and commissioning. Utilises data wiring in a radial configuration.

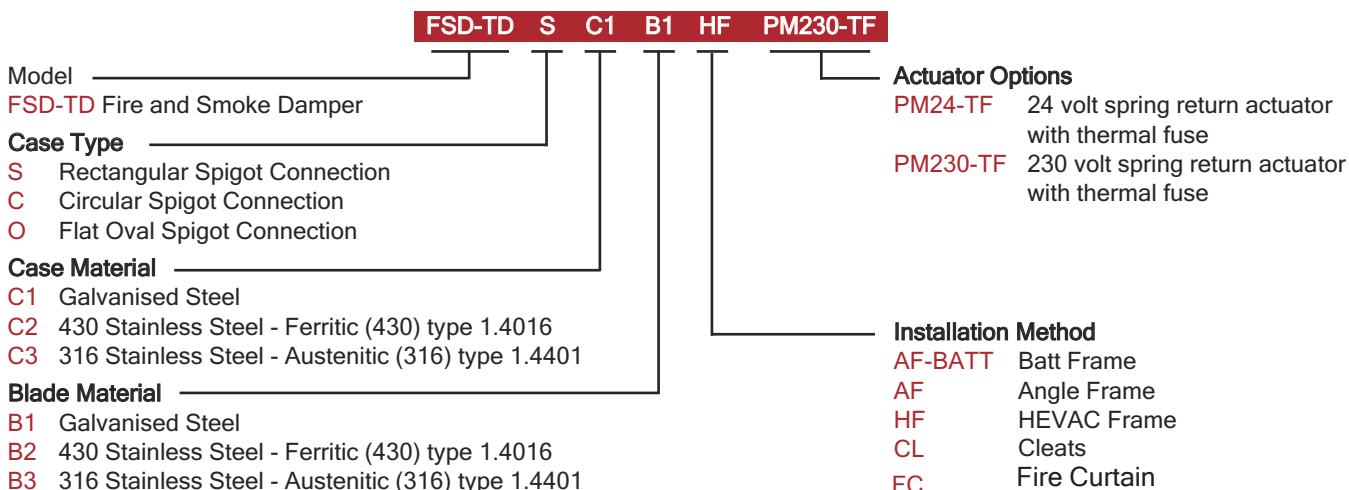
Can be configured to suit all types of system. Fully integrated and secure network provides an intelligent interface for building control.

Touch screen options are available allowing system interrogation.

Touch screen with Graphic CAD based floor plans, mimic style displays and optional BACnet interface complete the range. Please contact the BSB sales office for further information.

FSD-TD Series

Fire and Smoke Dampers - Ordering Codes



Other Air, Fire and Smoke Control Products in the BSB Range:



For full details of the complete BSB Product Range, please refer to our individual product brochures, sales office or website.



A brand of
MAICO

BSB Engineering Services Limited

Unit 56, Trinity Trade Centre, Mill Way, Sittingbourne, Kent ME10 2PD, UK • Tel: +44 (0)1795 422609

For purchase orders and order related enquiries, please email: orders@bsb-dampers.co.uk

For pricing, technical and general enquiries, please email: enquiries@bsb-dampers.co.uk

Website: www.bsb-dampers.co.uk • A member of the Maico group

BSB Engineering Services Ltd. reserves the right to modify or withdraw any specification without prior notice that may result from continuous product development. The information contained within this brochure is correct at the time of going to press. (FSDTD-10-2021)

