

GAQ – Air Quality Controller and Sensor Series



**Duct / Room sensor
24VAC or 12VDC**



**Air Quality controller – wall mount,
24VAC, or 12VDC+PS**

General

The GAQ series are Air Quality Sensors and Controllers that automatically react to air pollution sources. They sense tobacco smoke, toilet odors, strong kitchen smells, etc. and mechanically regulate ventilated areas such as cinemas, pubs, restaurants, toilets or conference rooms.

The sensor switches the fan on when air quality drops below a preset, adjustable level. The sensing head of the unit is self-cleaning, a process which occurs each time the unit is triggered. When atmosphere has returned to normal, the fan switches off.

Features

Wall mount, Air Quality Controllers

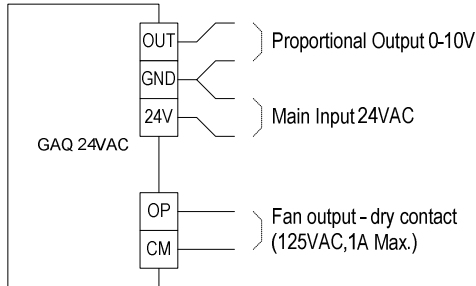
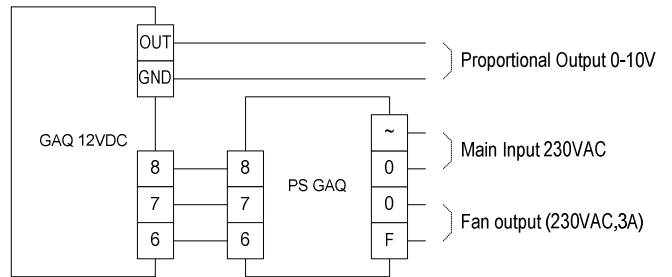
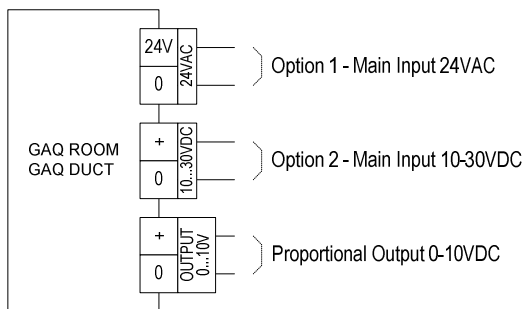
- Main supply - 24Vac or 12Vdc (with PS)
- The controller has 2 outputs:
 - Proportional output 0-10Vdc for variable fan speed or B.M.S. applications.
 - Dry contact for direct fan switching (on/off) or alarm indication
- Set point for Air Quality - adjustable
- Indication lights to show status of Air Quality controller (On/Off)
- Self cleaning sensor

Room or Duct air quality sensors

- Main supply - 24Vac or 10-30Vdc
- Sensor has proportional pre-defined output 0-10Vdc

Models

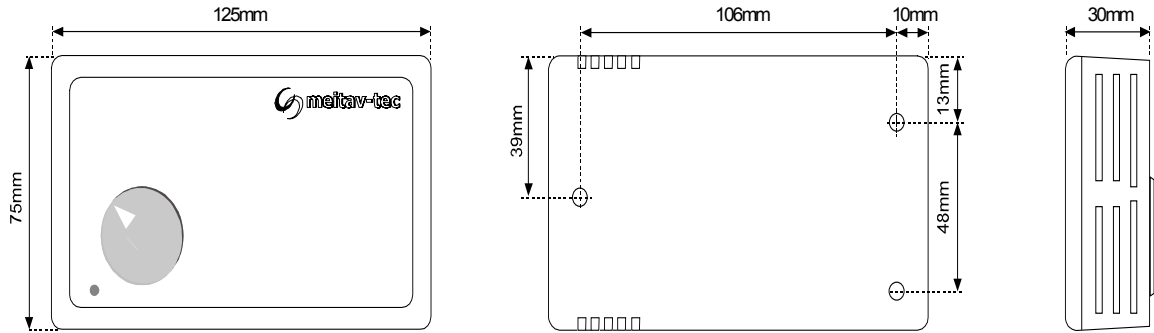
Model	
GAQ/24	Wall mount, main supply 24Vac air quality sensor and controller
GAQ/12 +PS-AQ	Wall mount 12Vdc, with power supply 220Vac air quality sensor and controller
GAQ/Room	Air quality sensor on decorative box
GAQ/Duct	Duct Air quality sensor

Electrical Diagram
GAQ/24

GAQ/12 + PS GAQ

GAQ/room & GAQ/duct


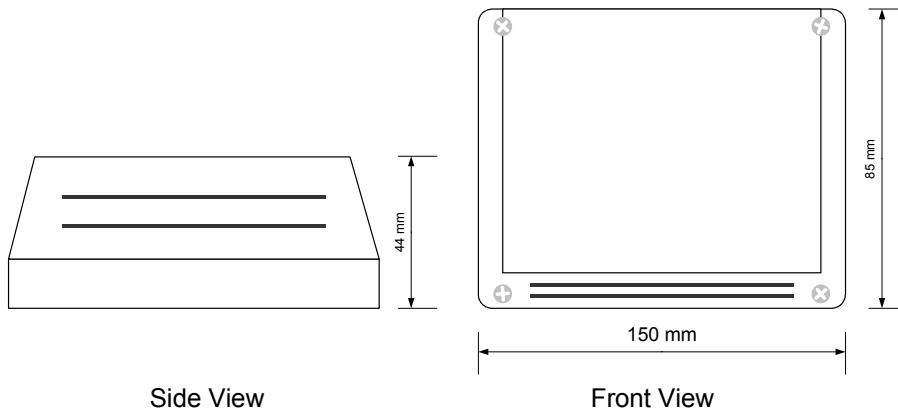


Dimensions

GAQ/24 and GAQ/12



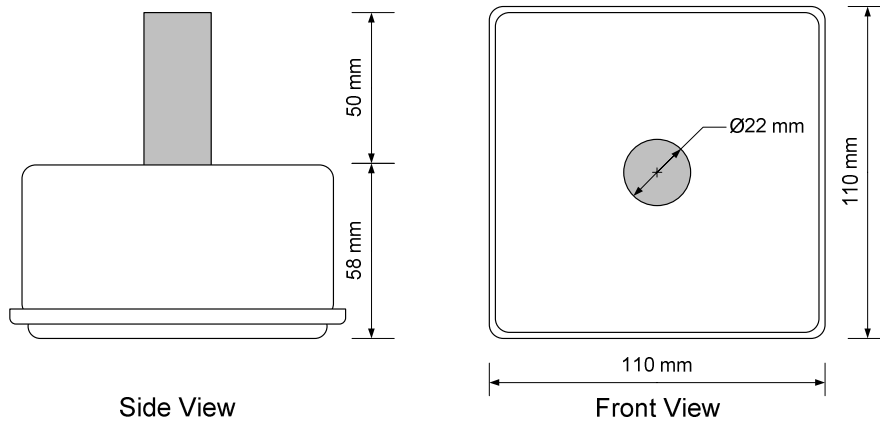
GAQ/ROOM & PS/GAQ



Side View

Front View

GAQ/DUCT



Side View

Front View