



## MR Modulo's Technical features



### MR Modulo

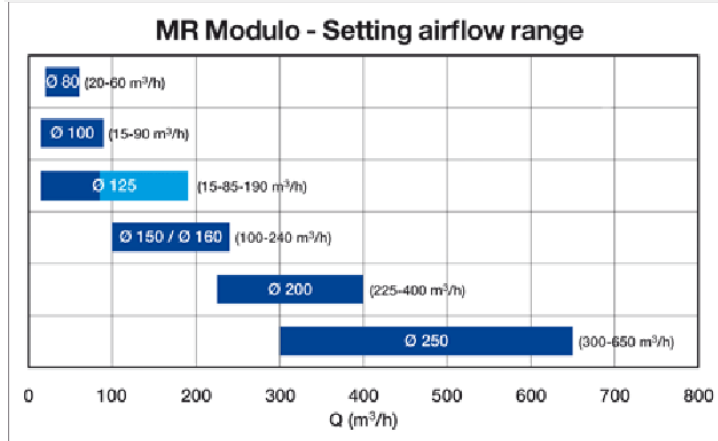
The MR Modulo regulates to an adjustable airflow.

One code corresponds to several airflow setting options.

The MR MODULO incorporates a rotating ring for a tool-free airflow setting.

8 codes, 7 diameters.

The MR Modulo is available in a standard version (50 - 250 Pa).



Airflow accuracy:

- +/- 5 m<sup>3</sup>/h for nominal flow ≤ 50 m<sup>3</sup>/h.
- +/- 10% for nominal flow > 50 m<sup>3</sup>/h.

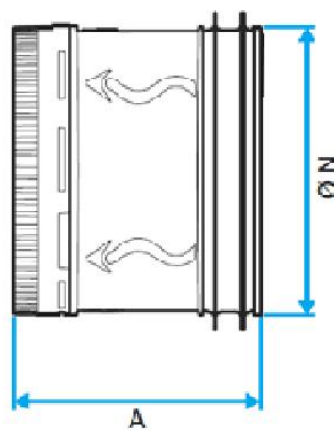
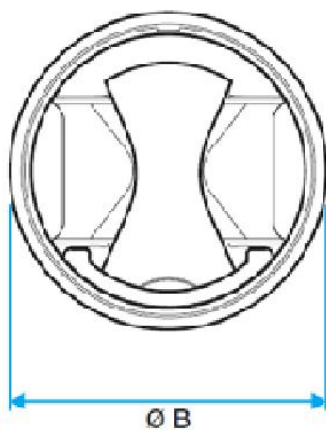
Operating differential pressure range:

- Standard range: 50 - 250 Pa.

Temperature range of use: -10 to 60°C.

### Dimensions - weight

Ø Duct	ØN	ØB	A	Weight (kg)
80	76	85	65	0.07
100	92	105	70	0.11
125	116	132	70	0.17
125	116	132	110	0.22
150	147	153	118	0.30
160	153	167	118	0.34
200	190	210	144	0.65
250	238	262	179	1.20



The following information is indicated directly on the product:

- Airflow direction.
- Diameter in mm and inch.
- Operating differential pressure range.
- Product code.
- Traceability data.
- Quality control.
- Made in France.
- Aldes Logo.

For the MR Modulo: the airflow setting range correlation table (in m<sup>3</sup>/h and cfm).

